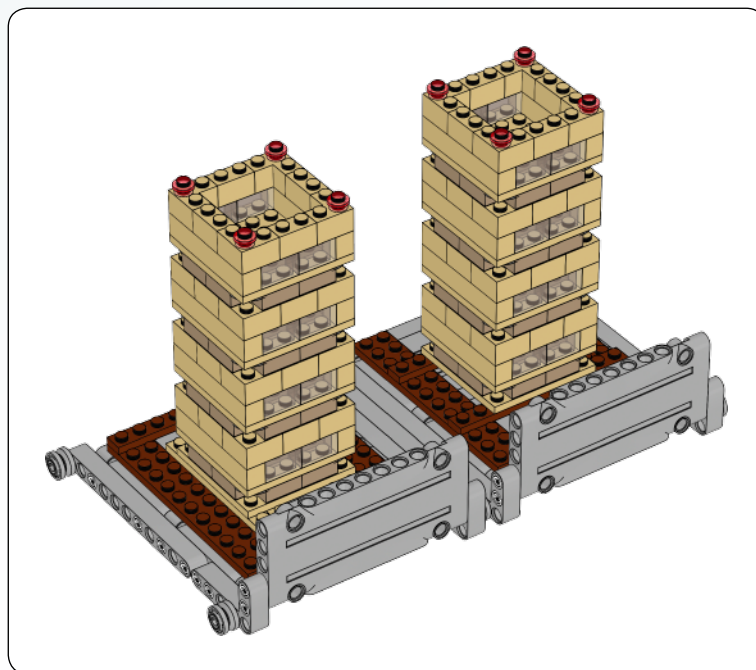
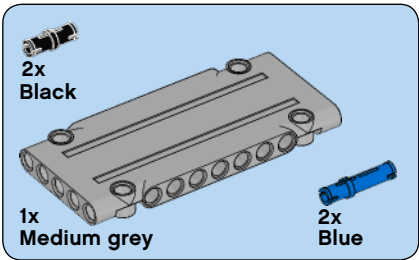
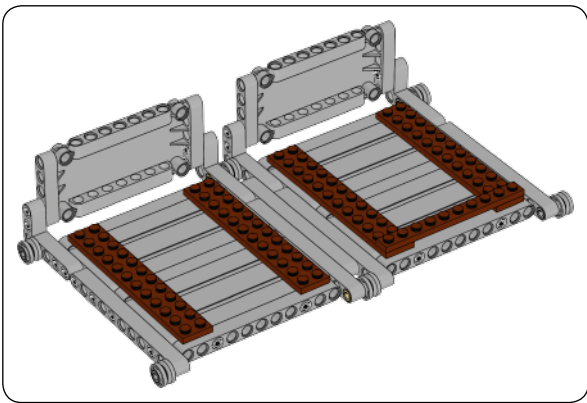


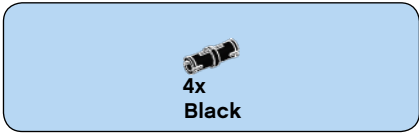
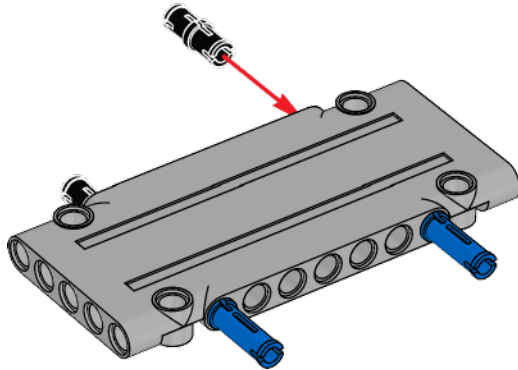
5x

7

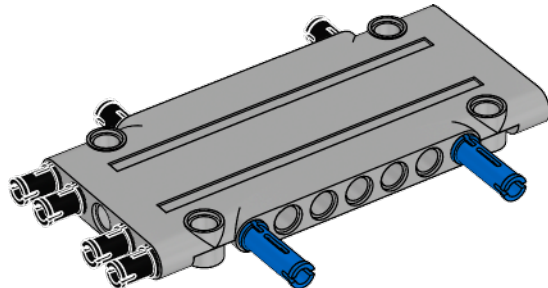


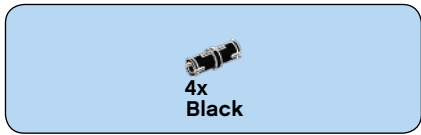


1

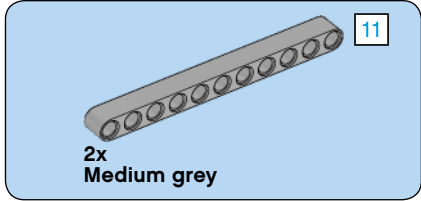
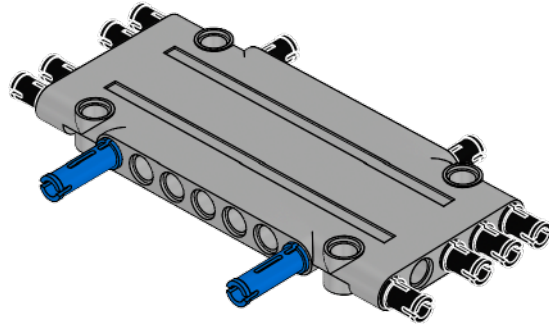


2

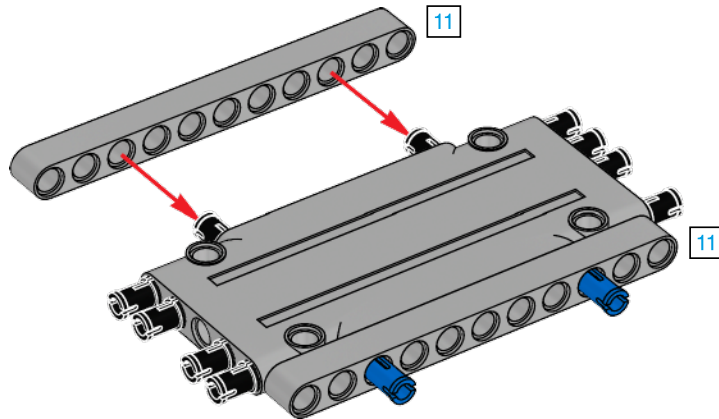
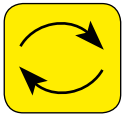


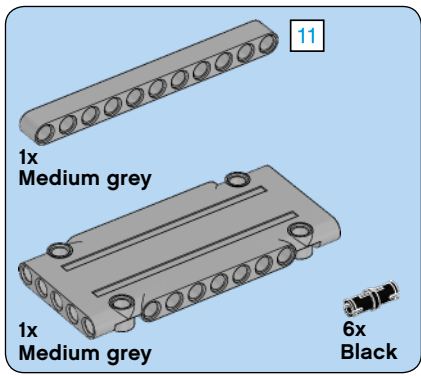


3

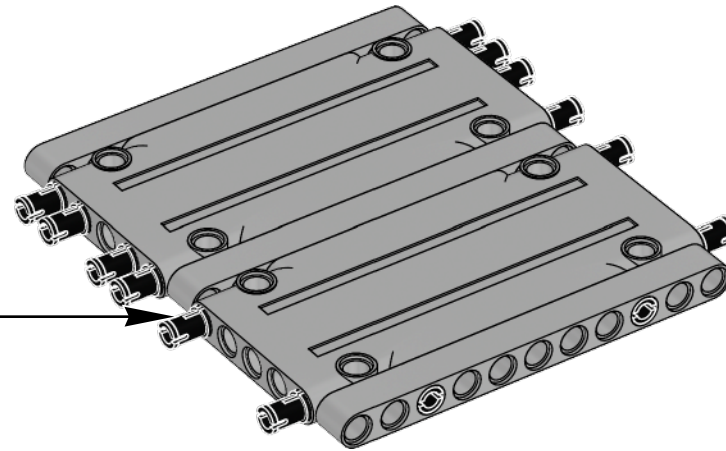
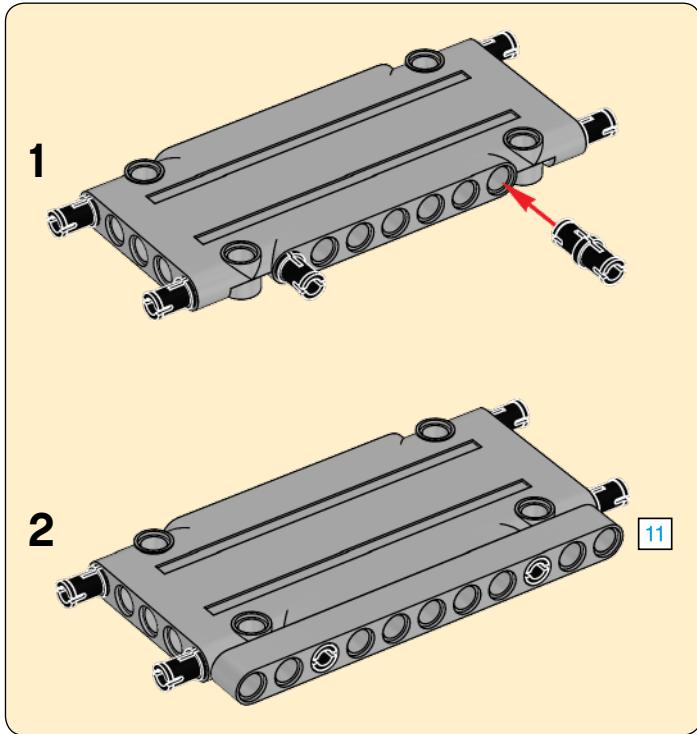


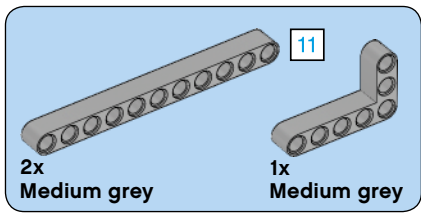
4



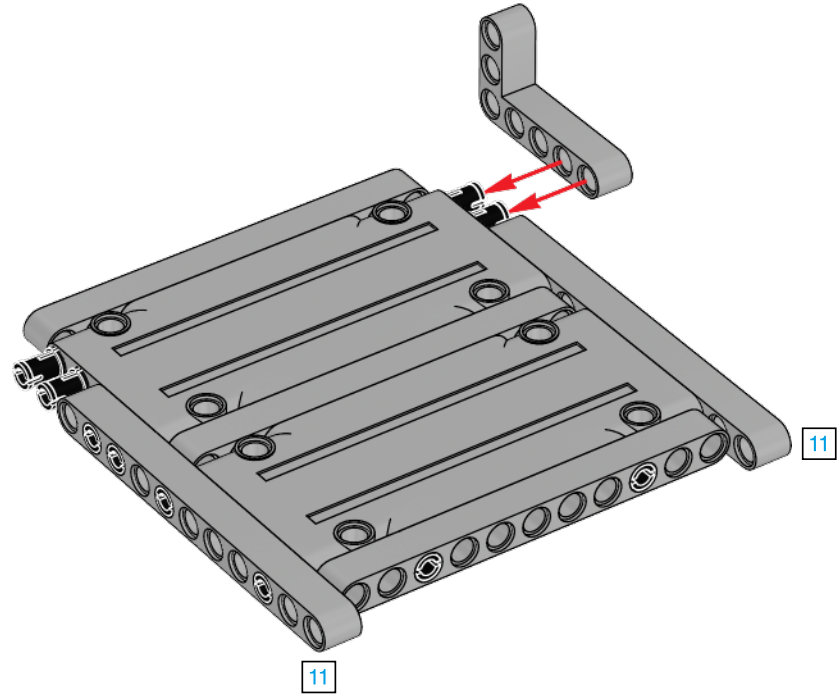


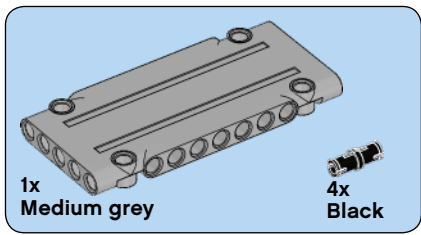
5



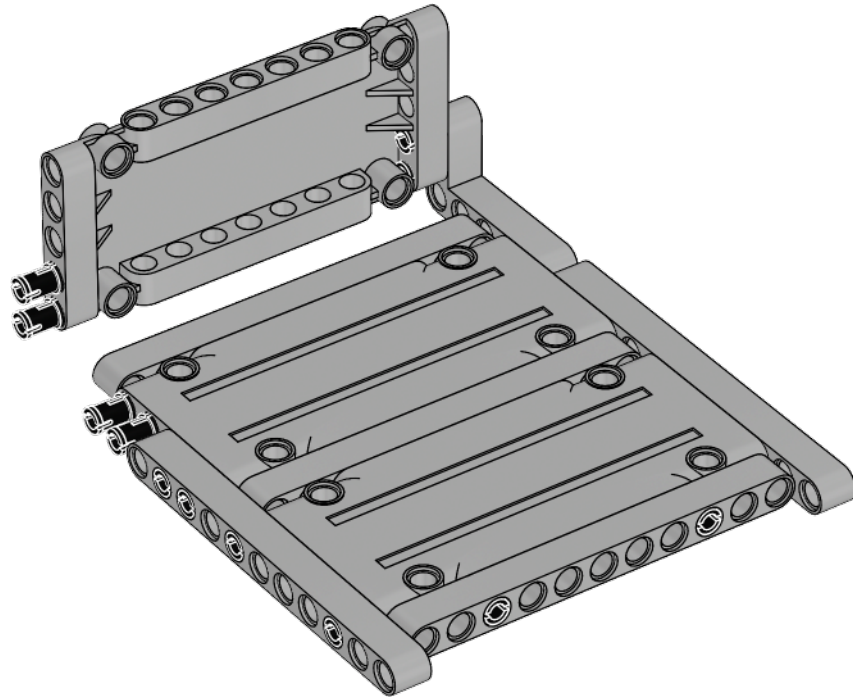
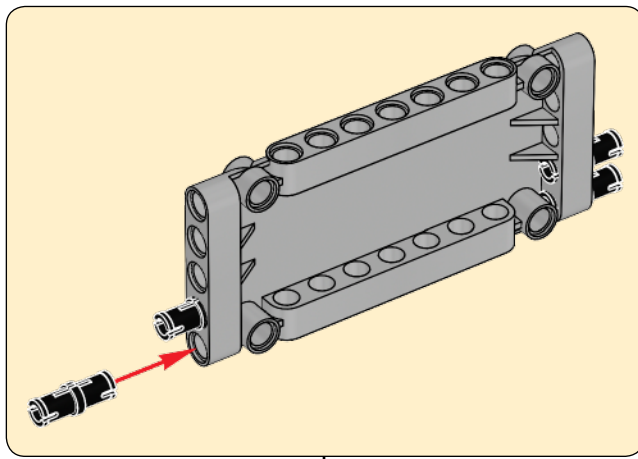


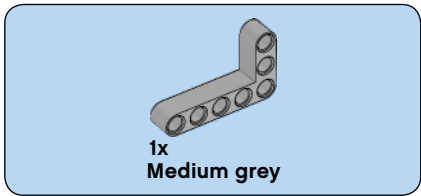
6



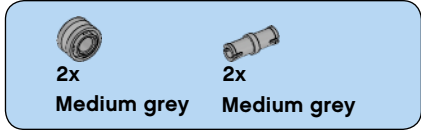
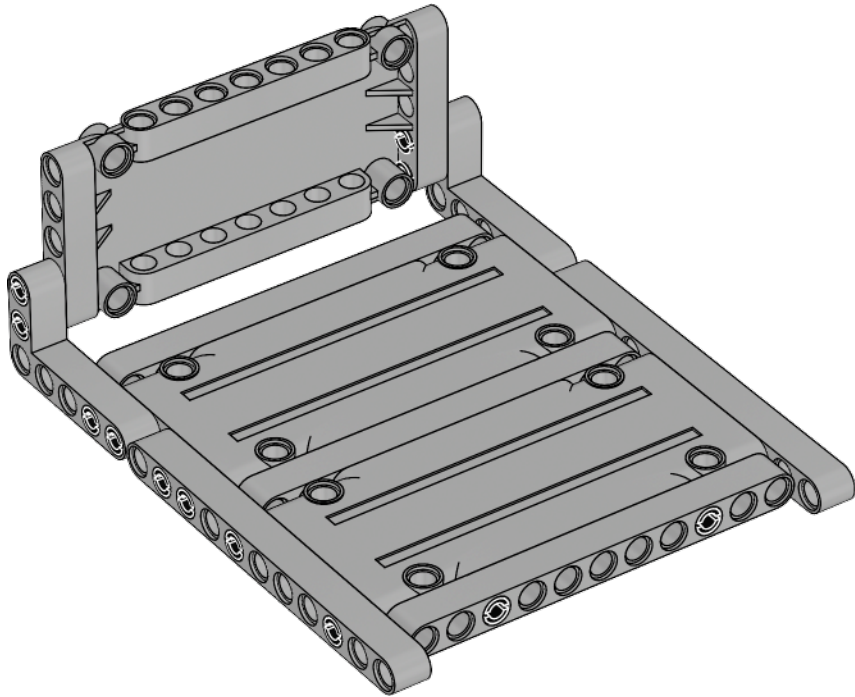


7

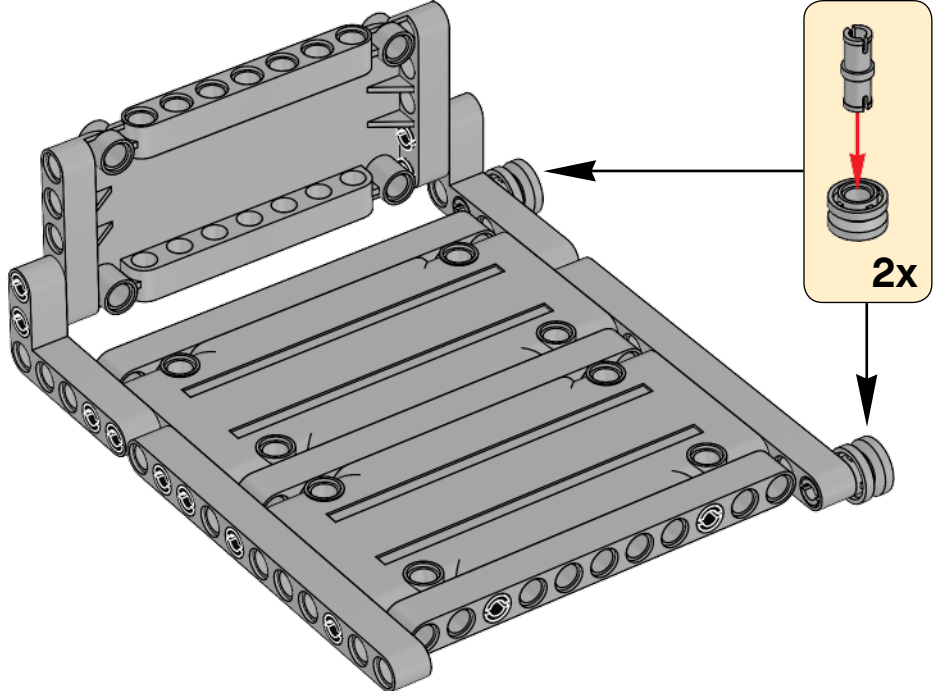




8



9



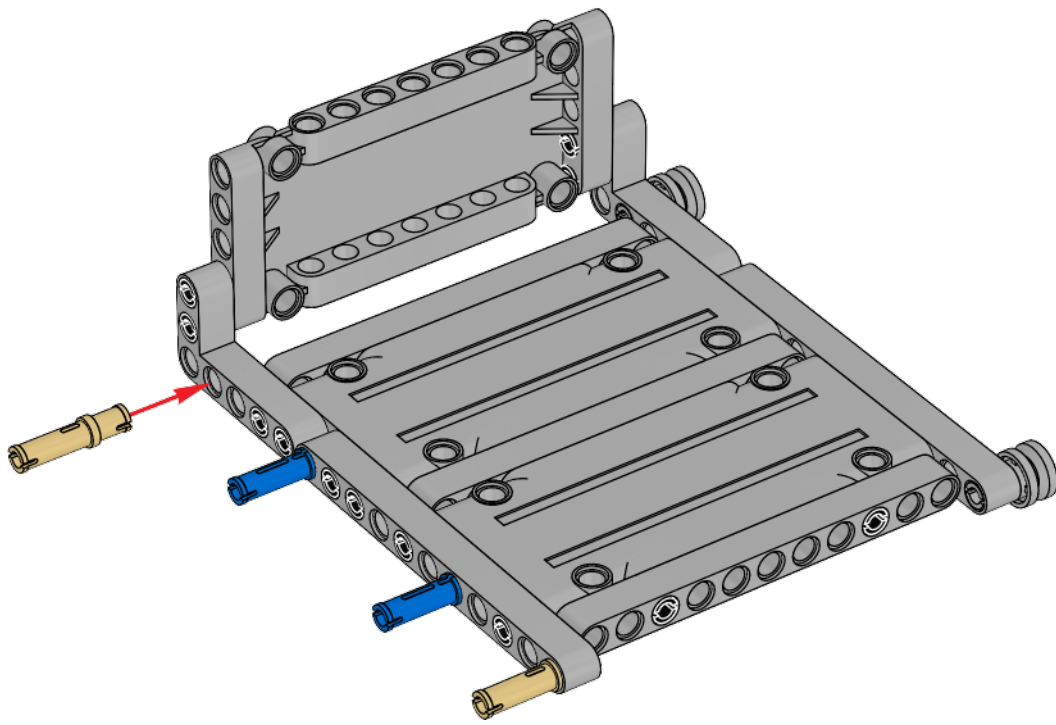


2x
Blue



2x
Tan

10



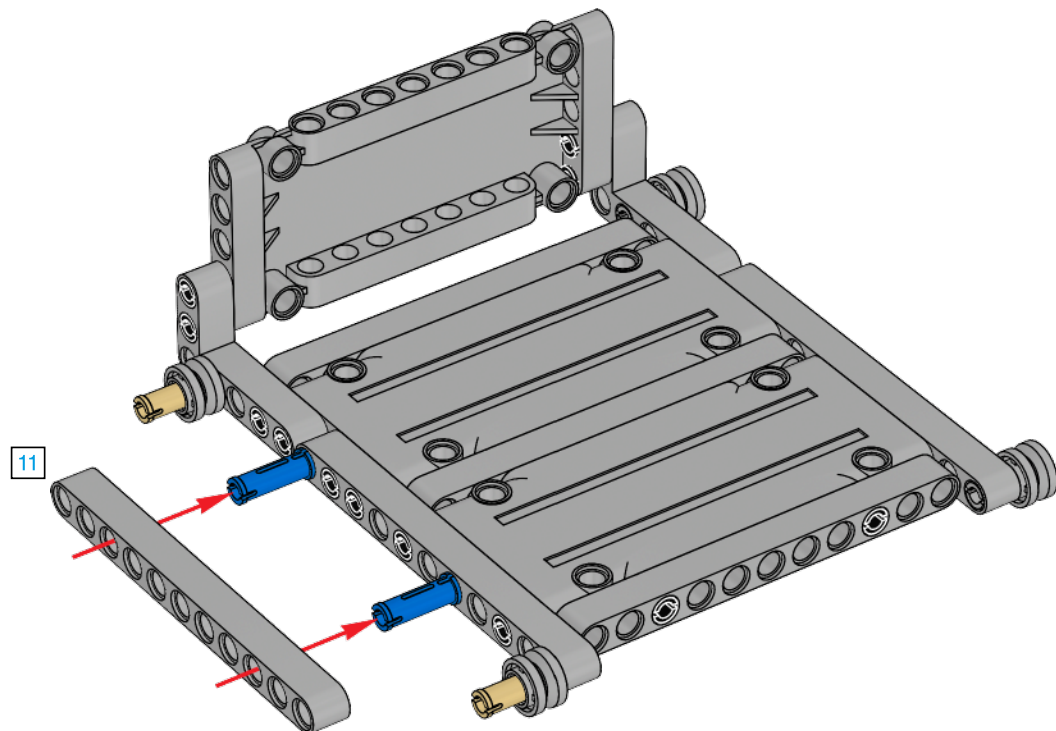
11

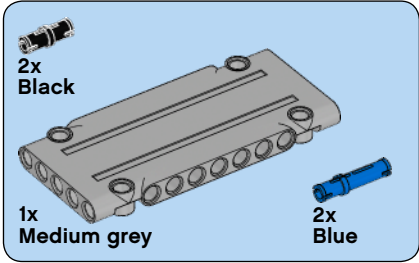
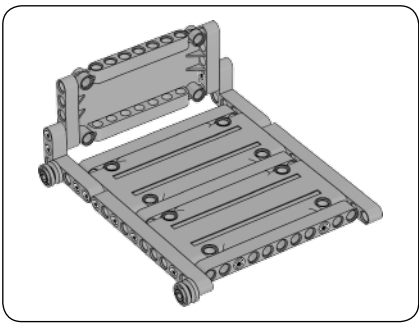
1x
Medium grey



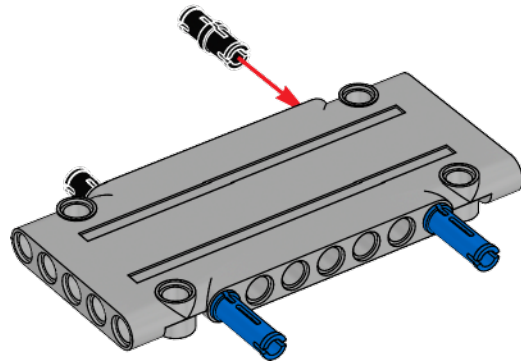
2x
Medium grey

11

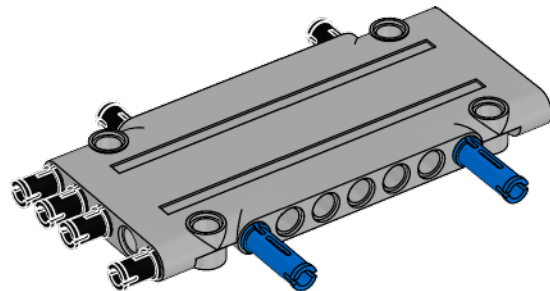




12

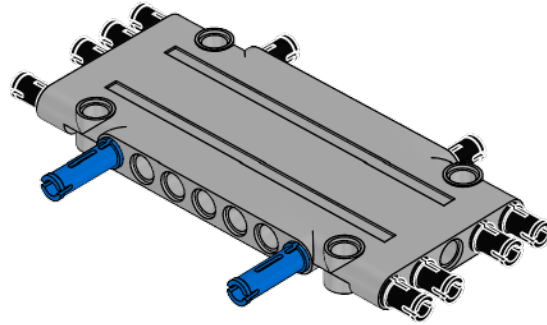
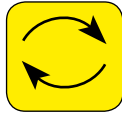


13



4x
Black

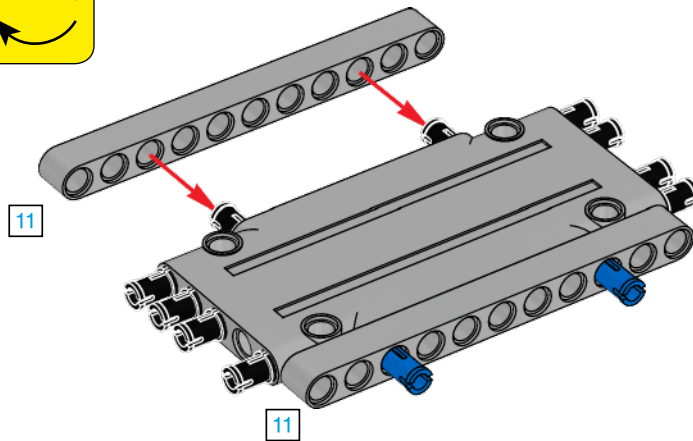
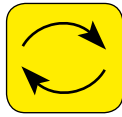
14

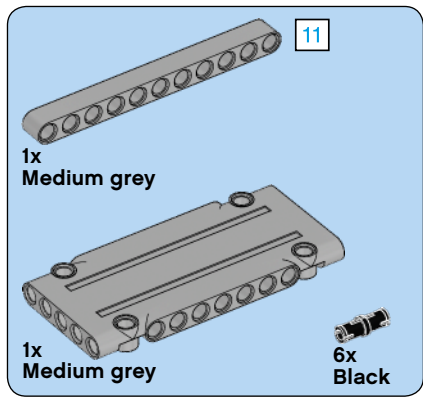


2x
Medium grey

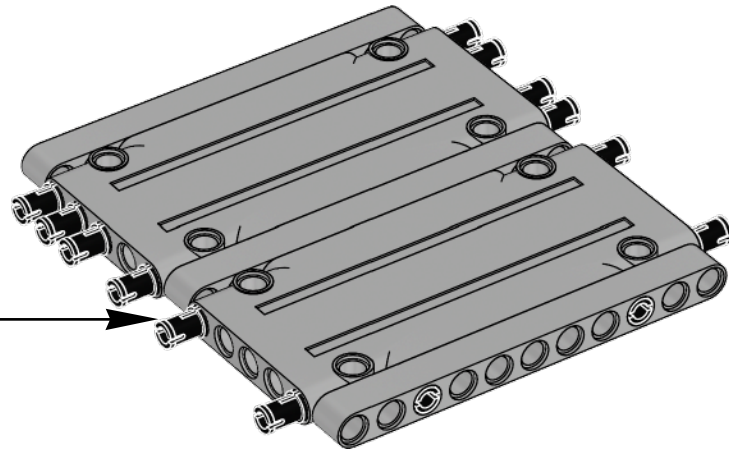
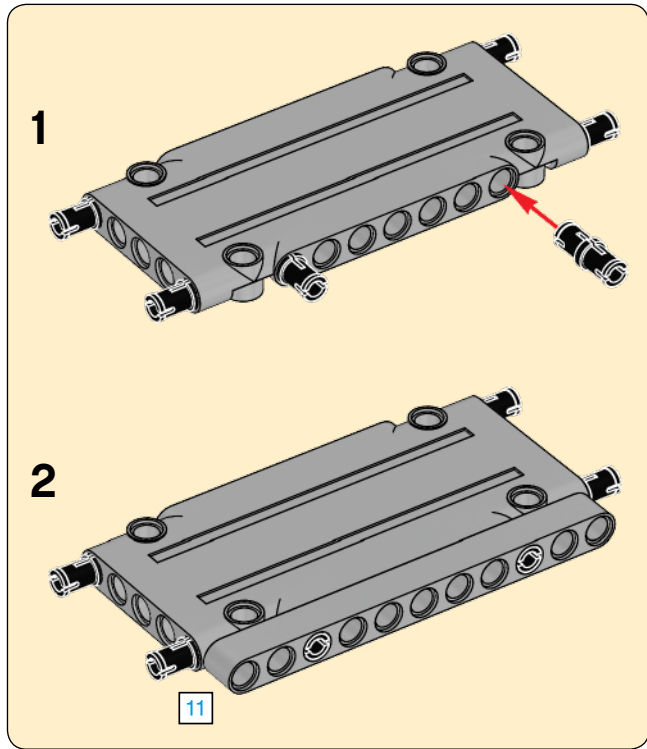
11

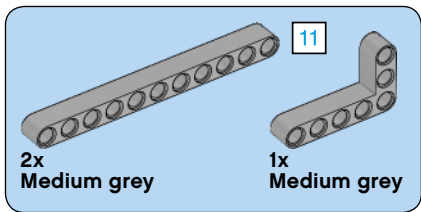
15



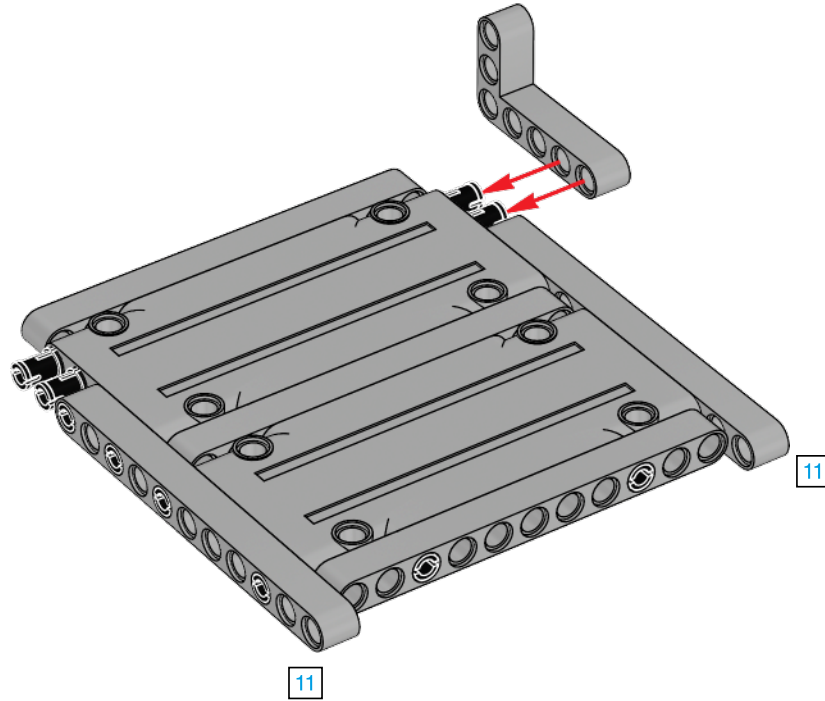


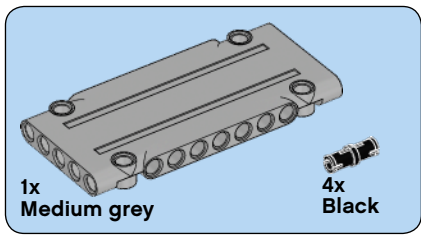
16



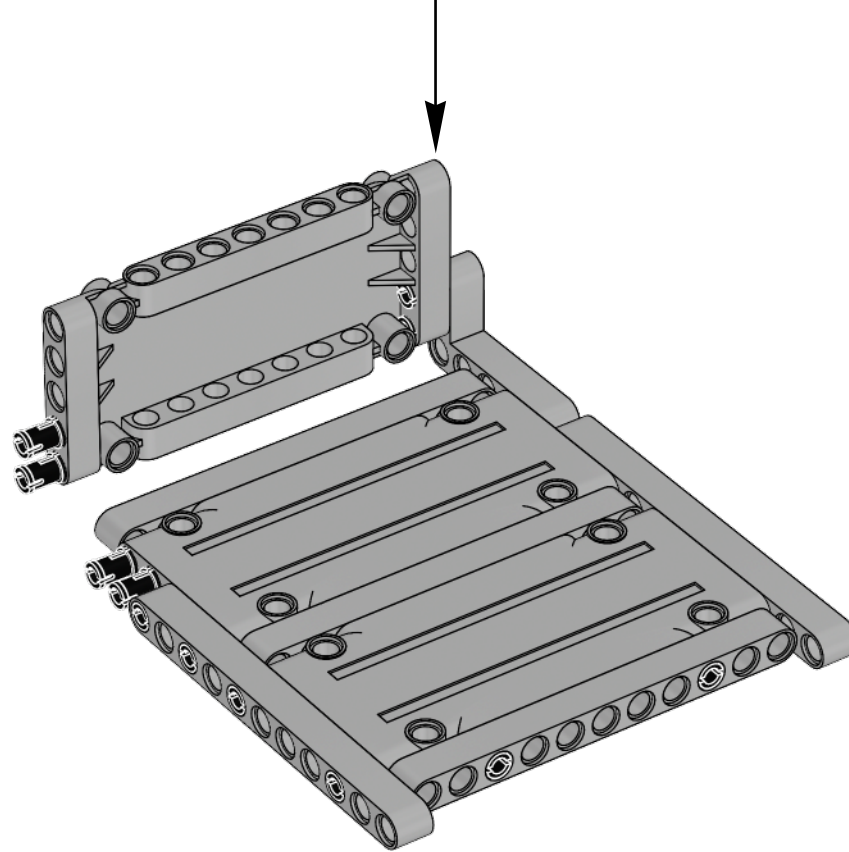
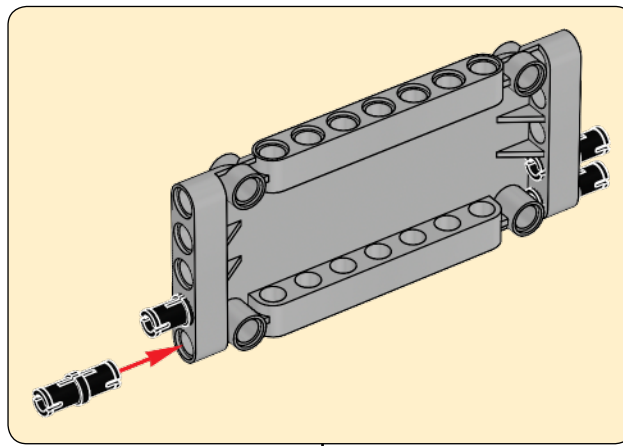


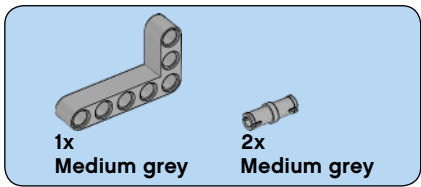
17



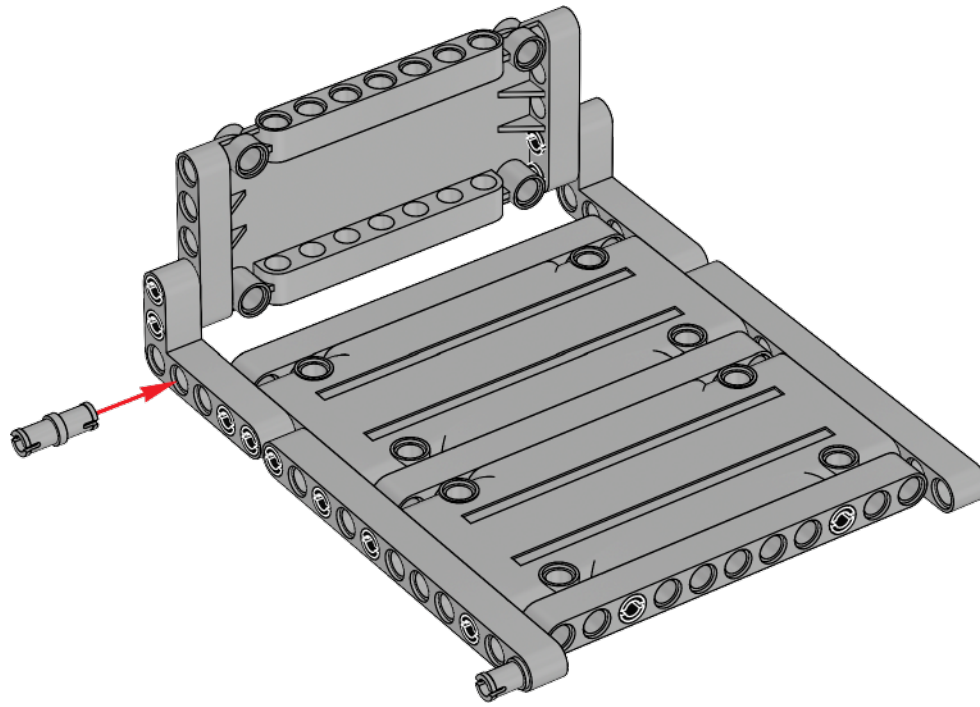


18

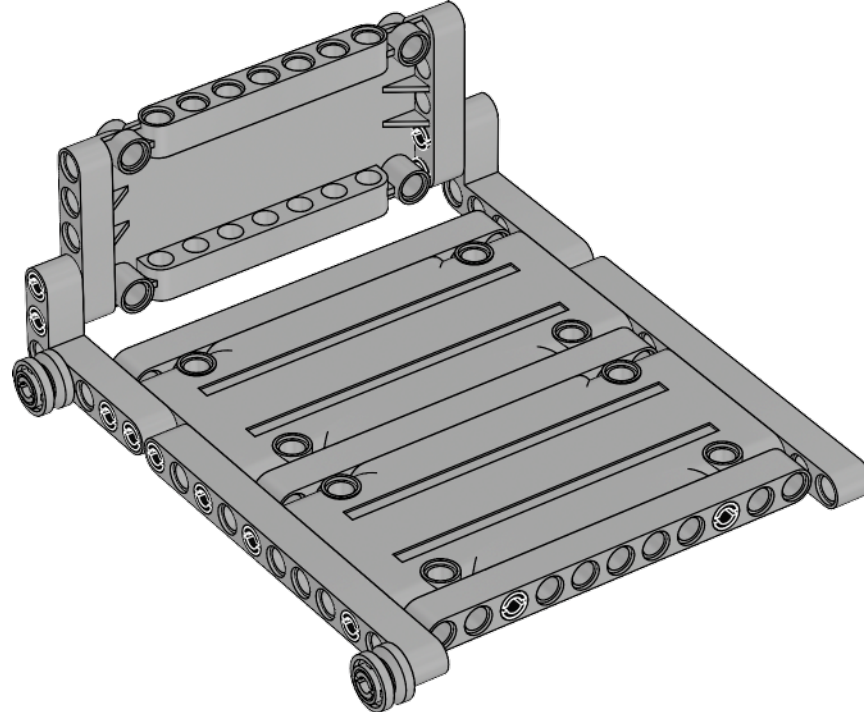




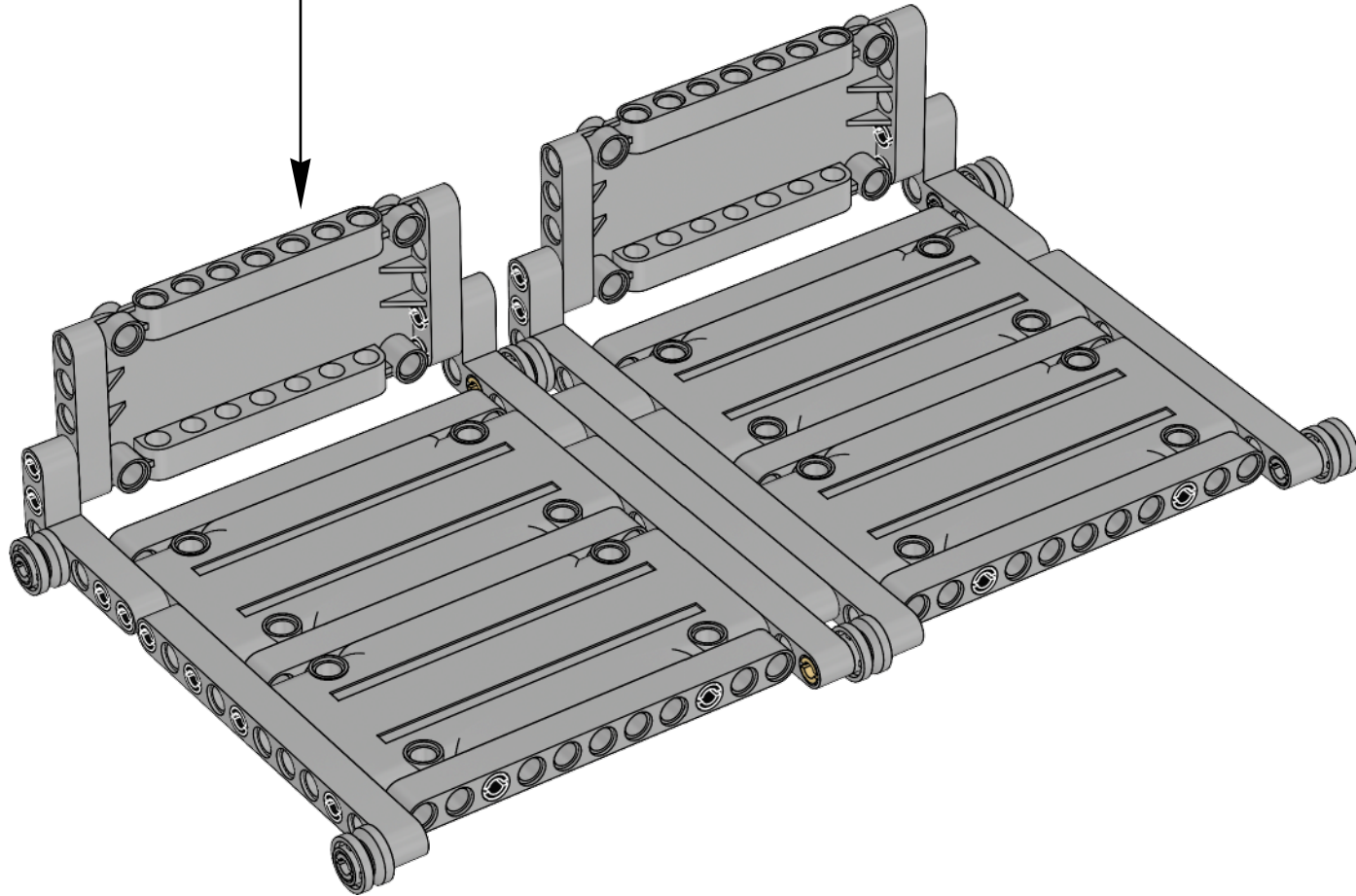
19

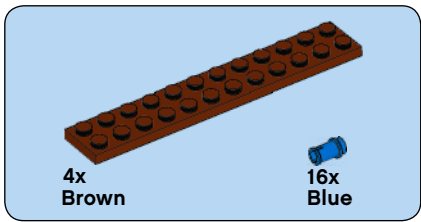


20

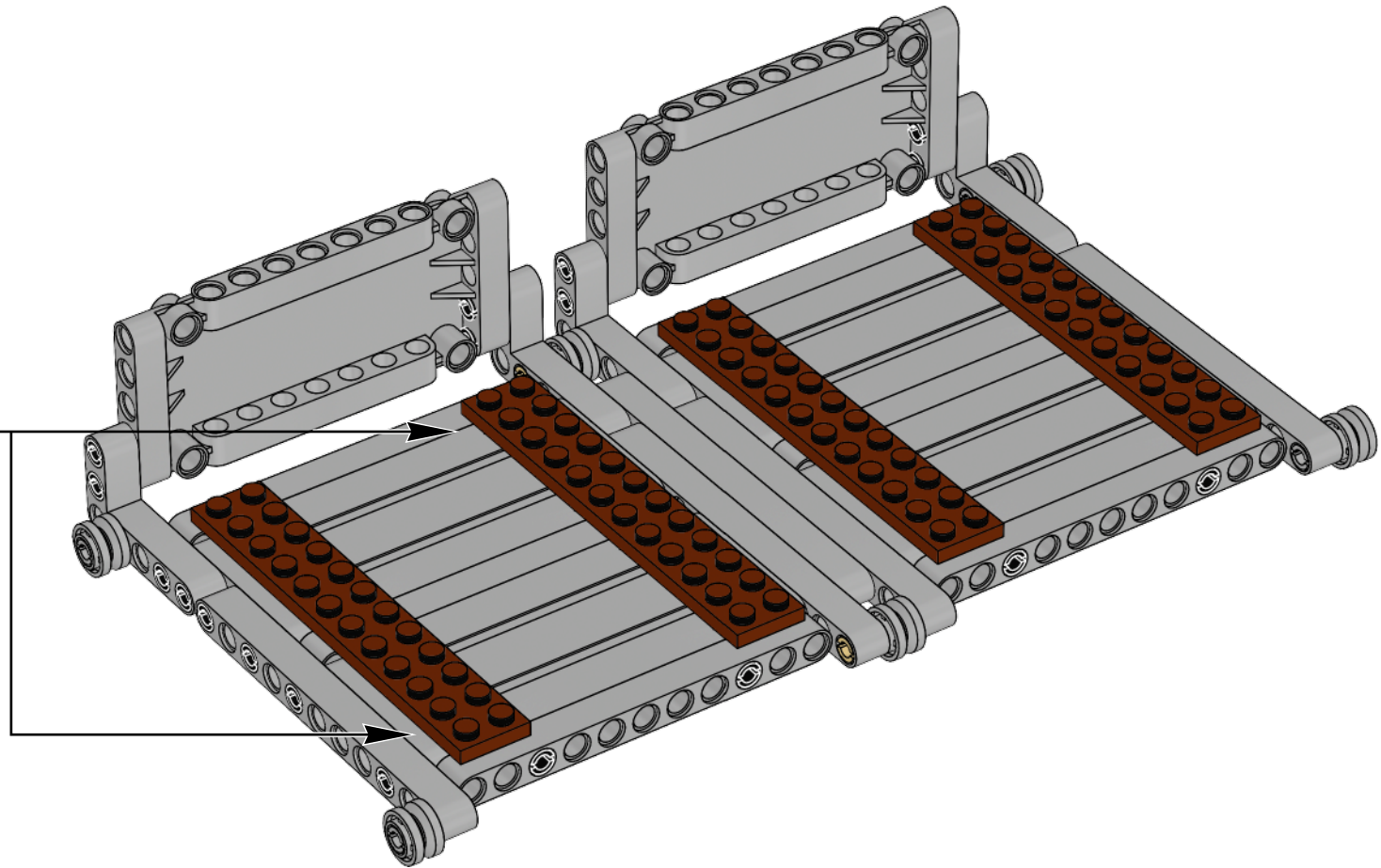
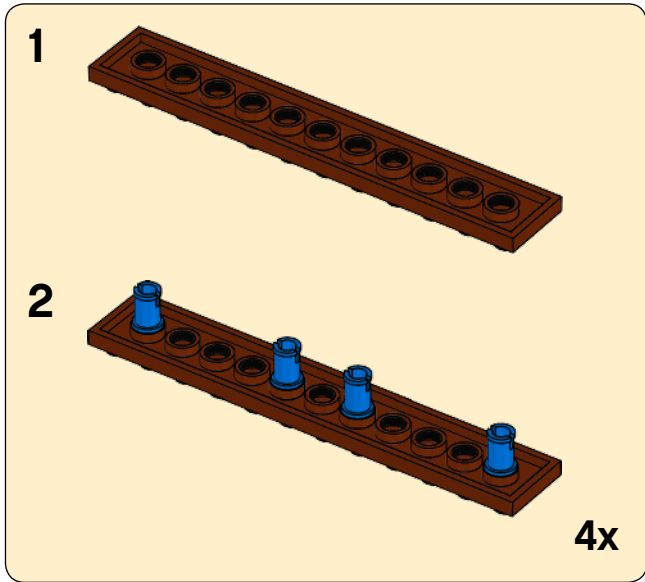


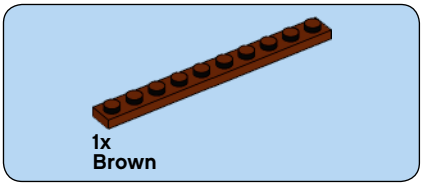
21



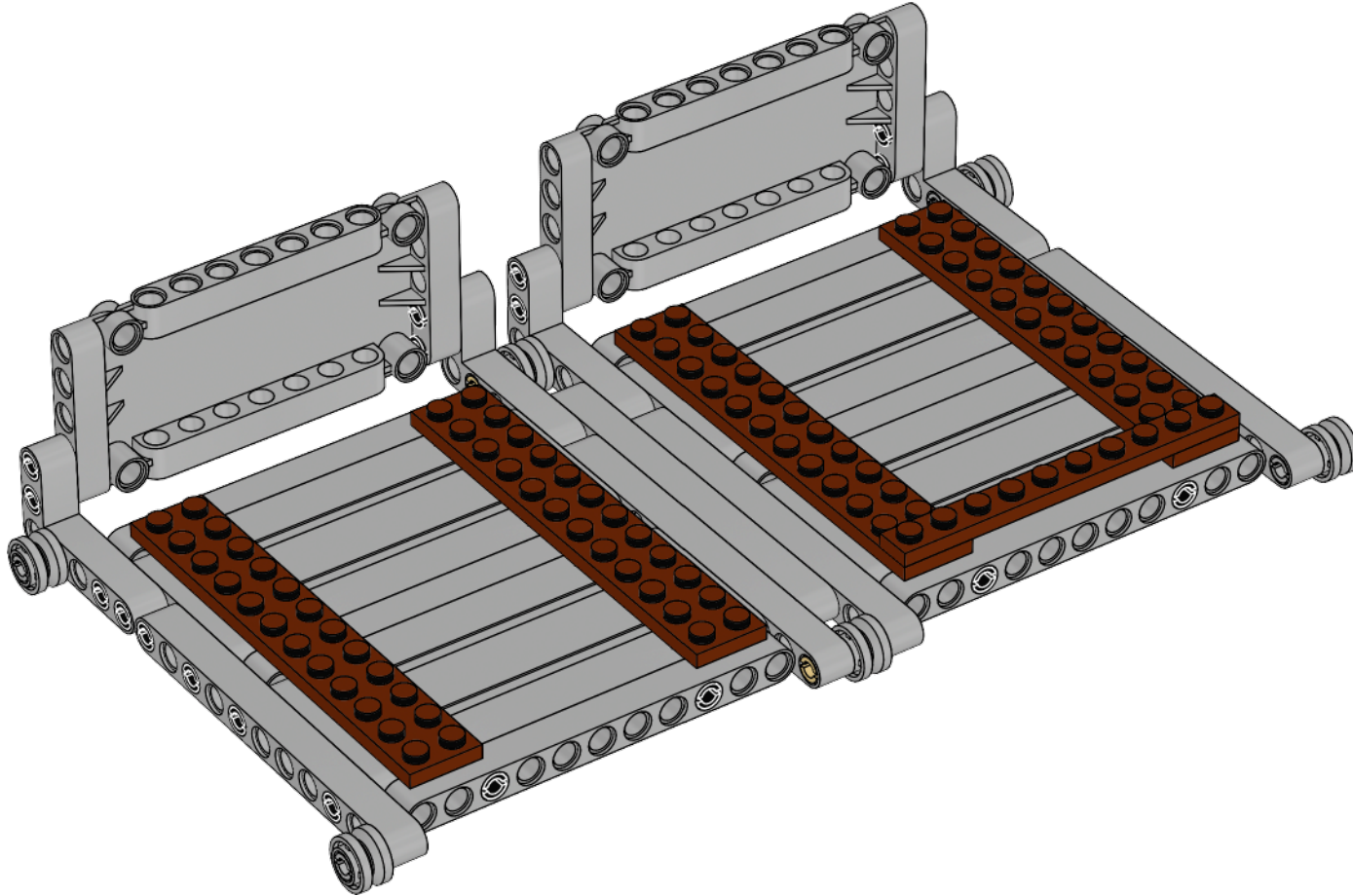


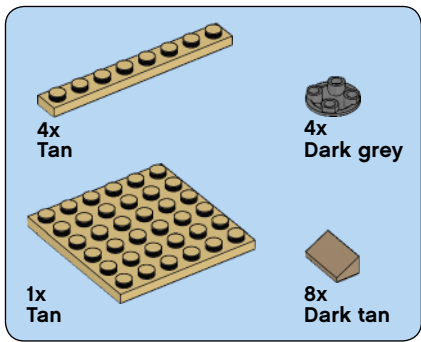
22





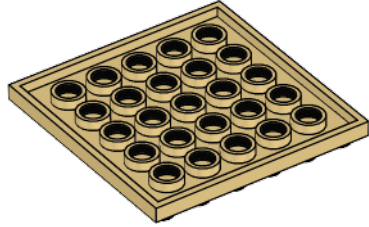
23



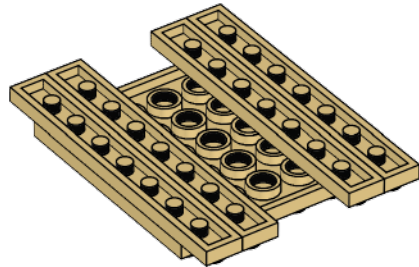


24

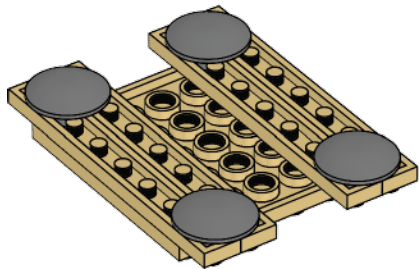
1



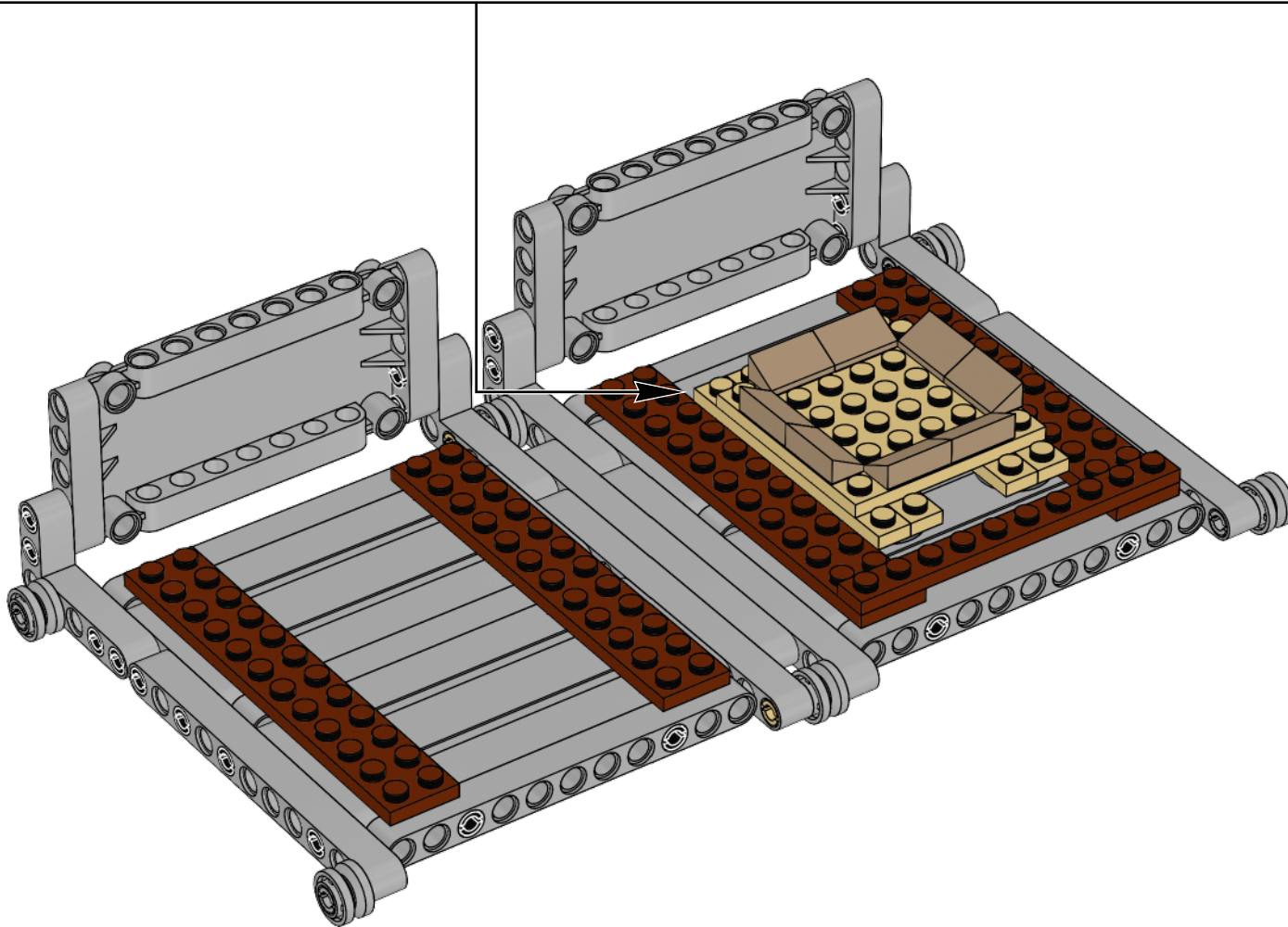
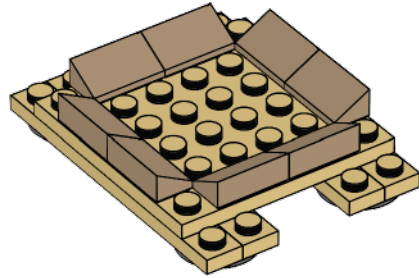
2

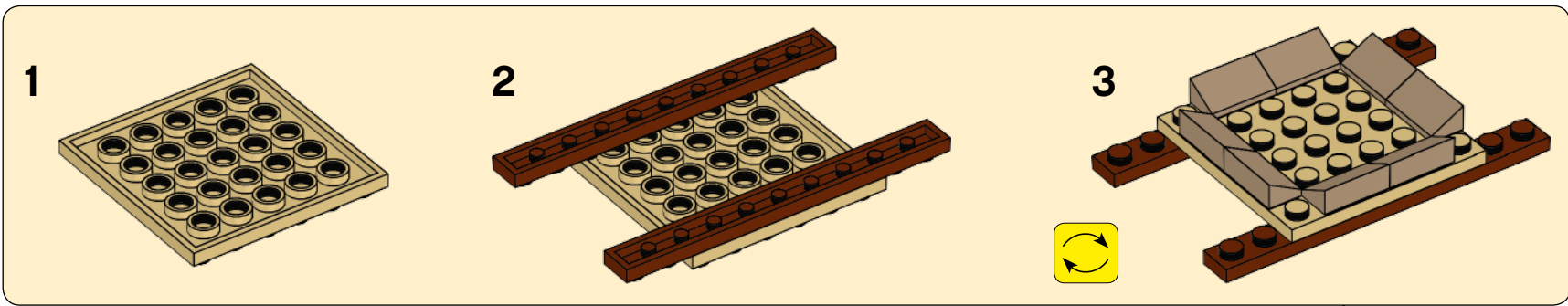
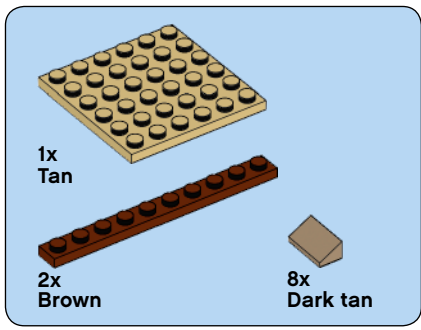


3

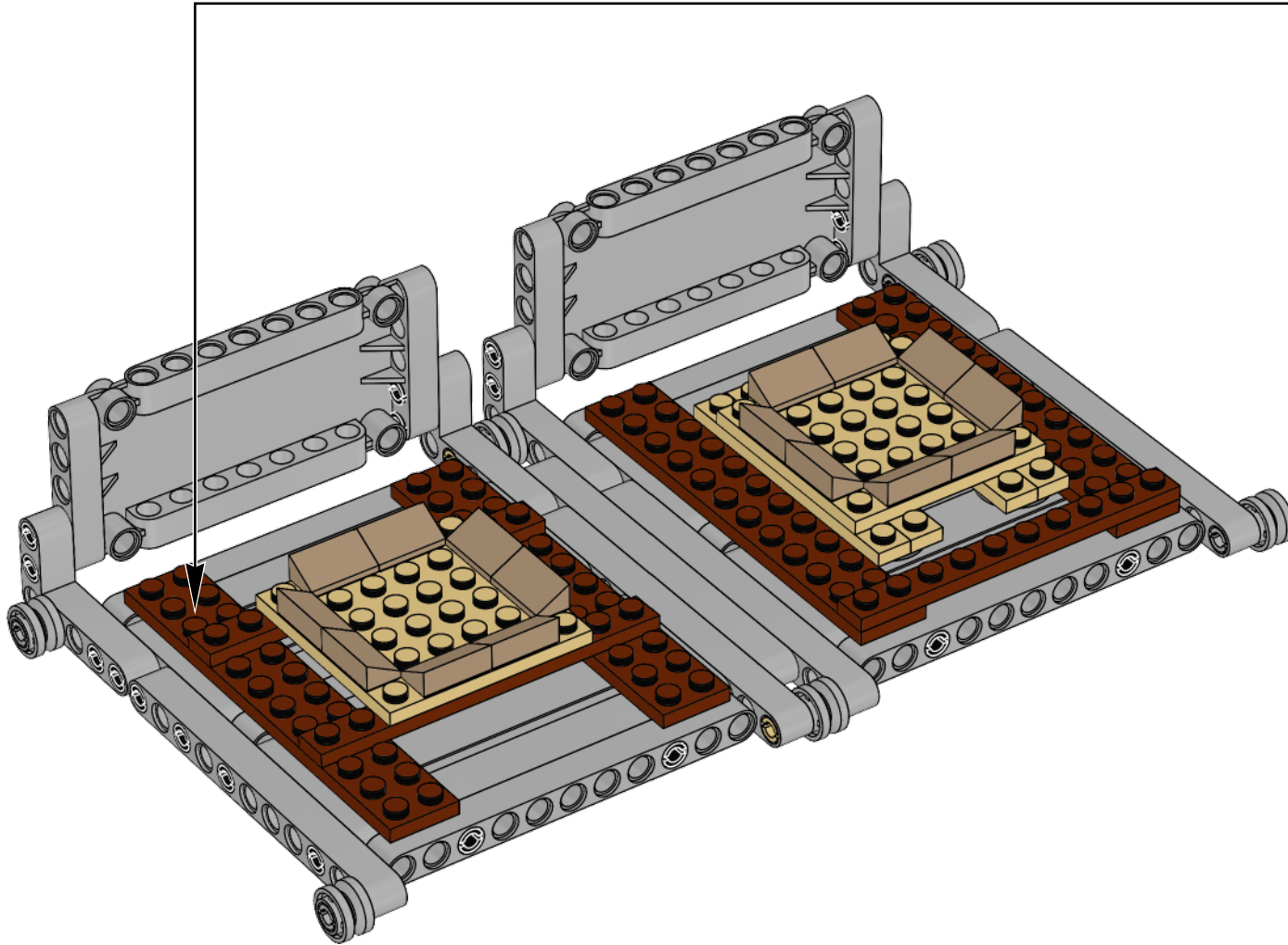


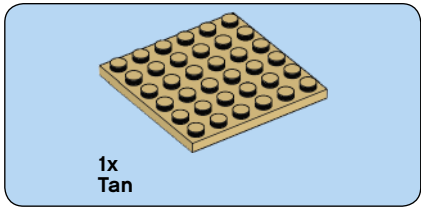
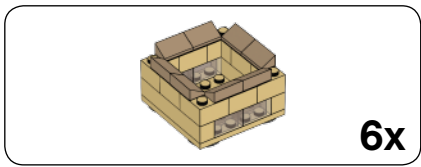
4



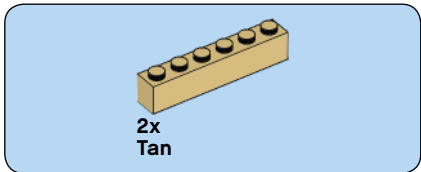
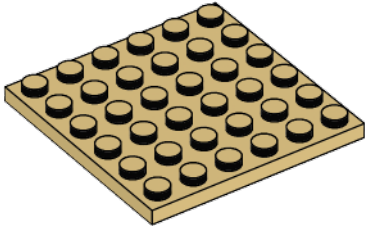


25

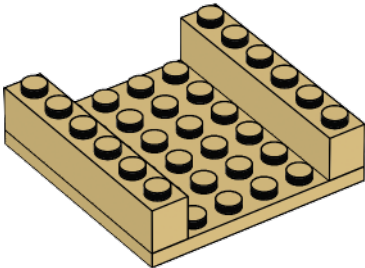




26



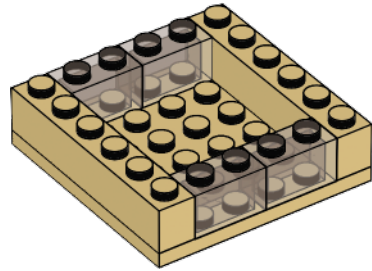
27





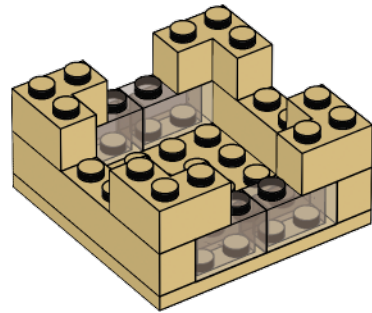
4x
Transp. brown

28



4x
Tan

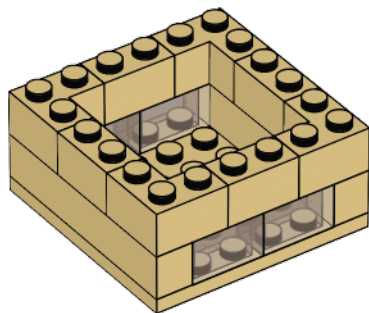
29





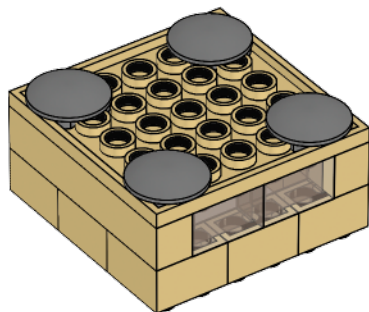
4x
Tan

30



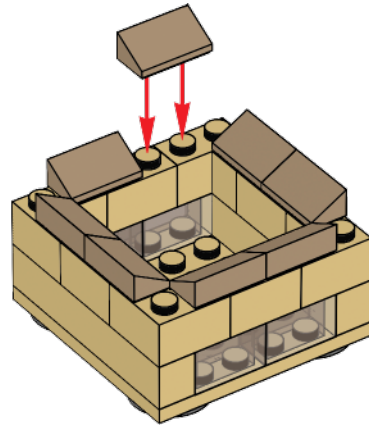
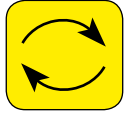
4x
Dark grey

31



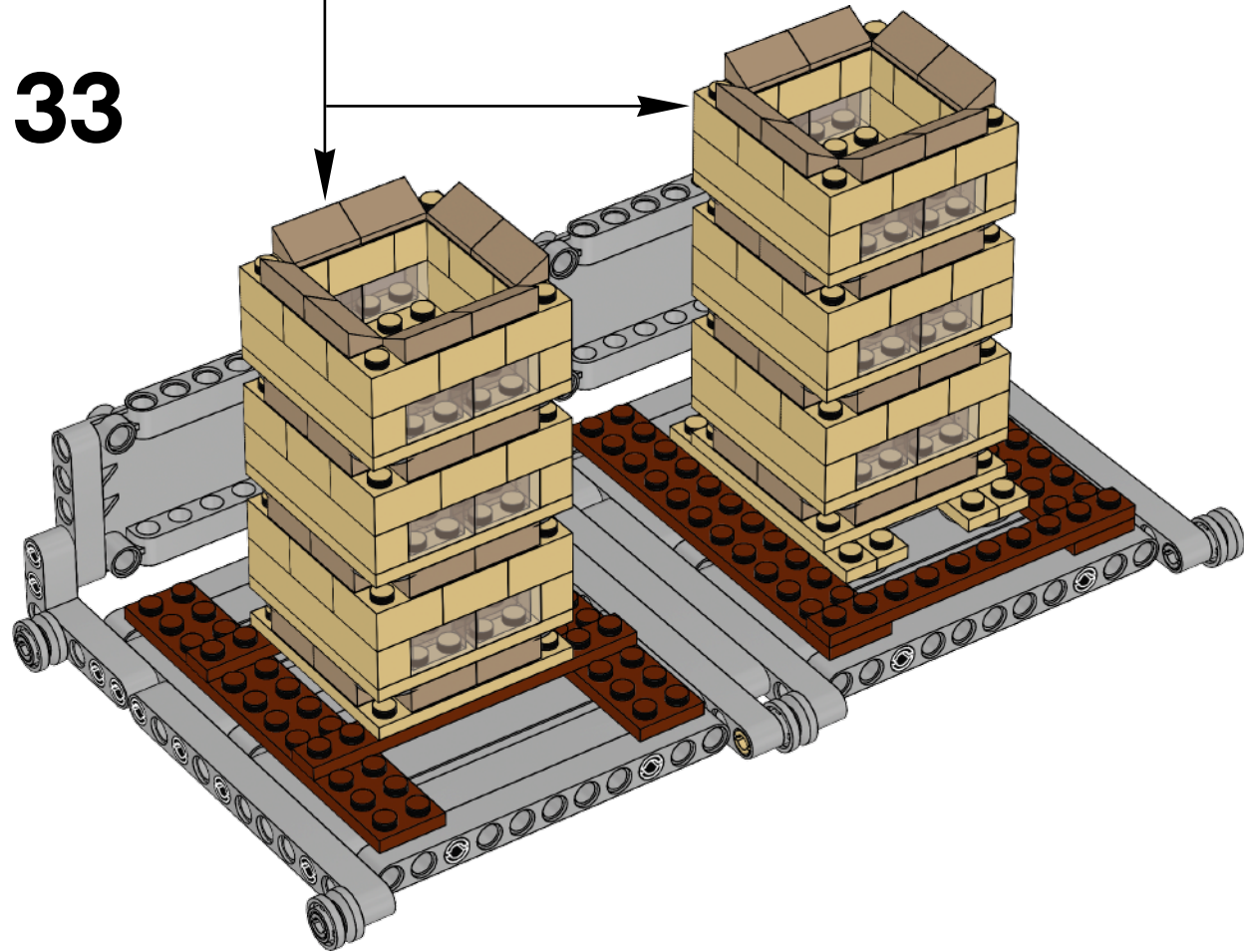
8x
Dark tan

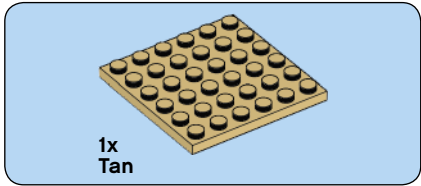
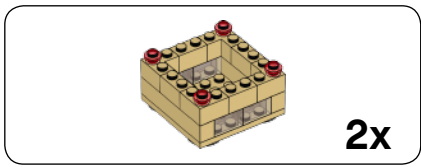
32



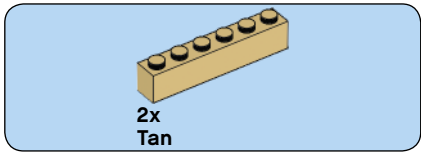
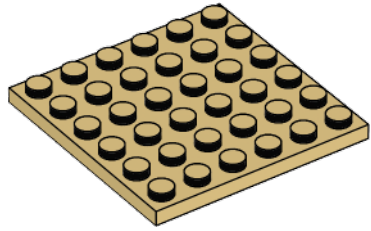
6x

33

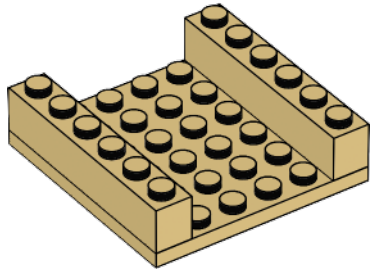




34



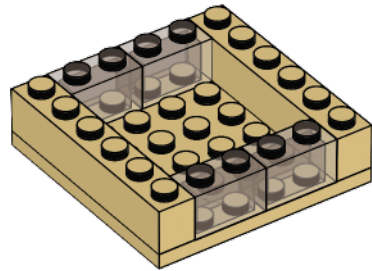
35





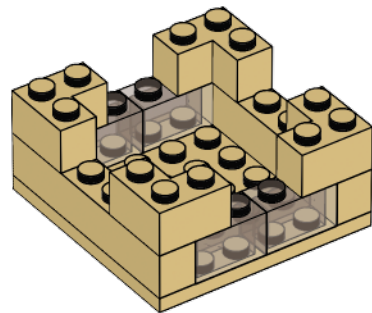
4x
Transp. brown

36



4x
Tan

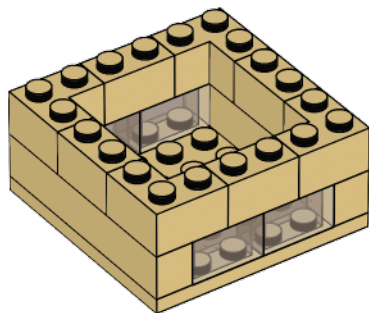
37





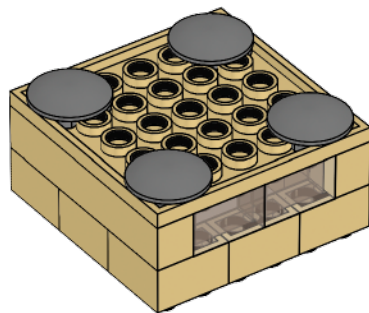
4x
Tan

38

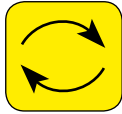


4x
Dark grey

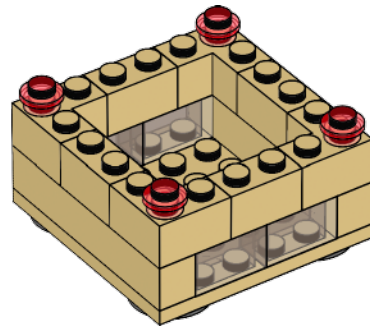
39



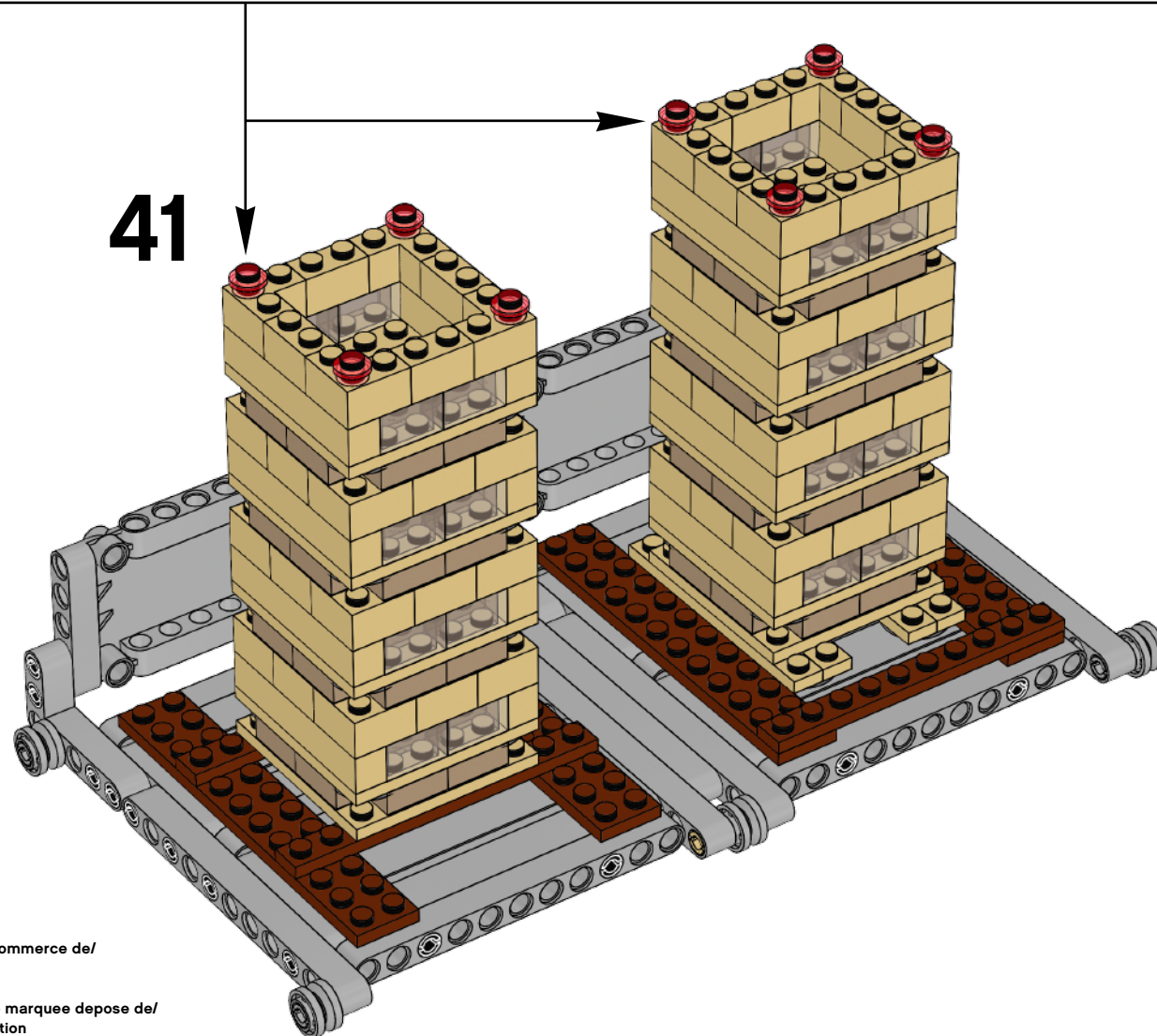
4x
Transp. Red



40



2x



BAG 7

LEGO and the LEGO logo are trademarks of the/son des marques de commerce de/son marcas registradas de LEGO Group. ©2013 The LEGO Group.

The FIRST® logo is a registered trademark of the/Le FIRST® logo est une marquee deposee de/El logotipo de FIRST® es una marca comercial registrada U.S. Foundation For Inspiration and Recognition of Science and Technology.