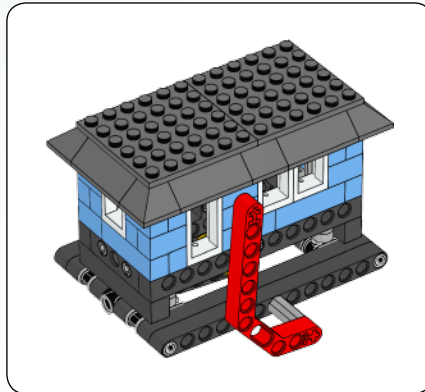
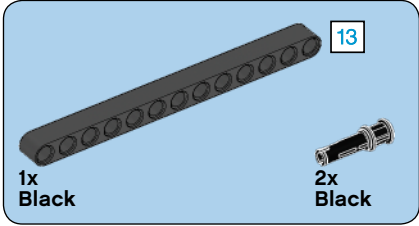
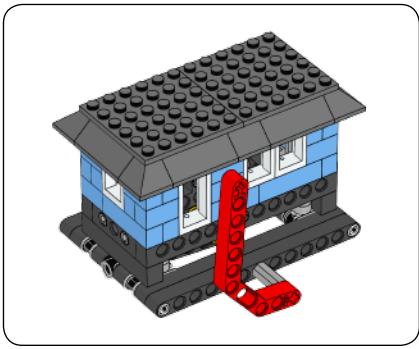


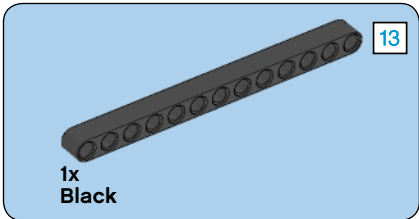
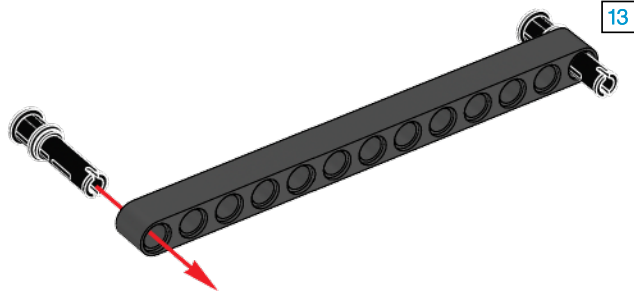
2x

6

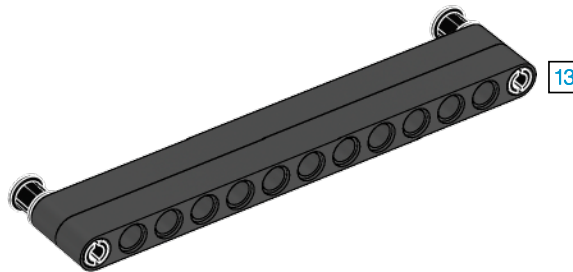




1

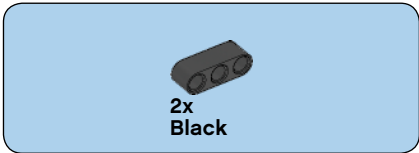
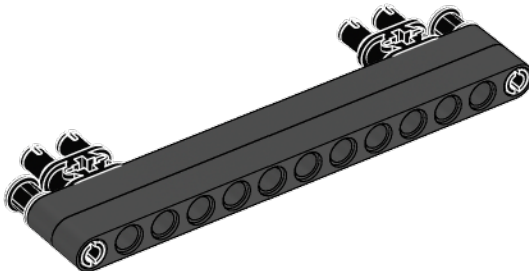


2

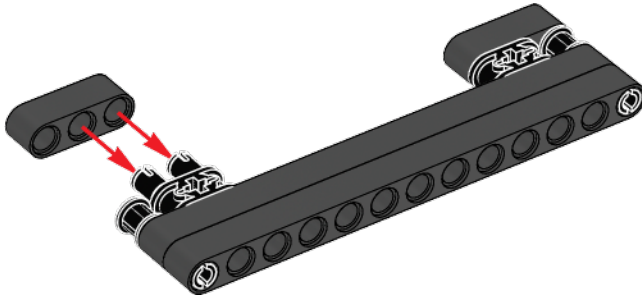


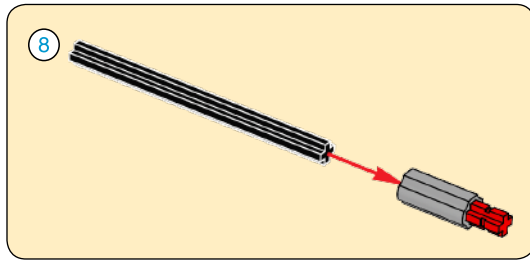
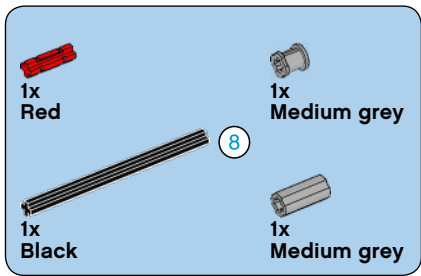


3

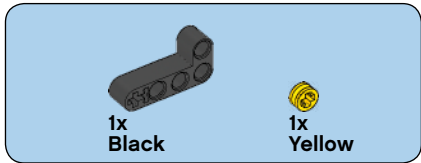
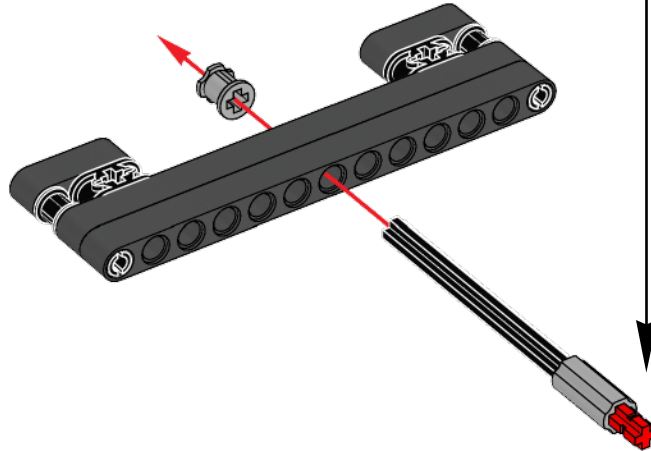


4

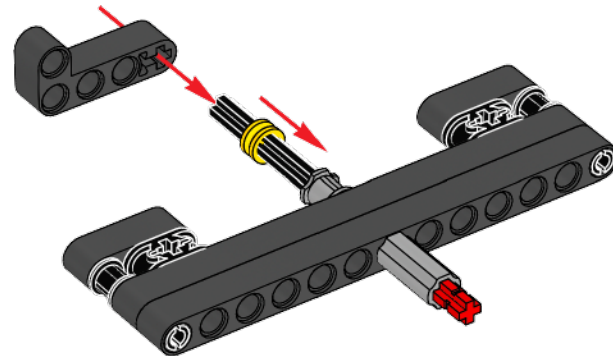


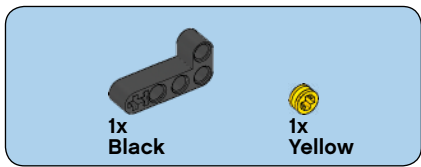


5

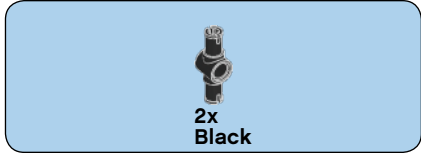
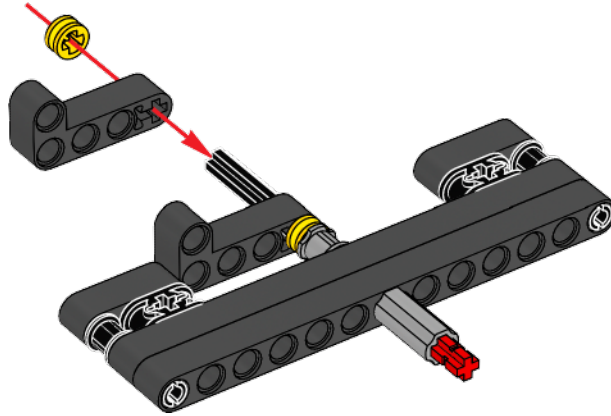


6

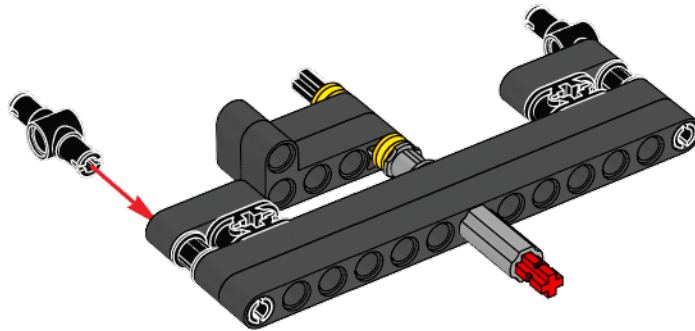


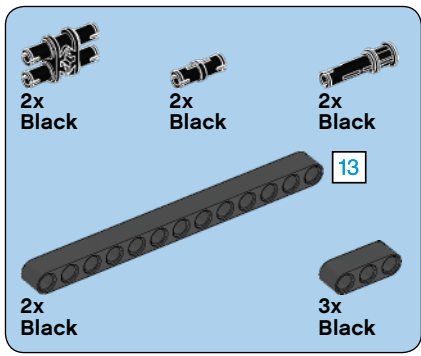


7

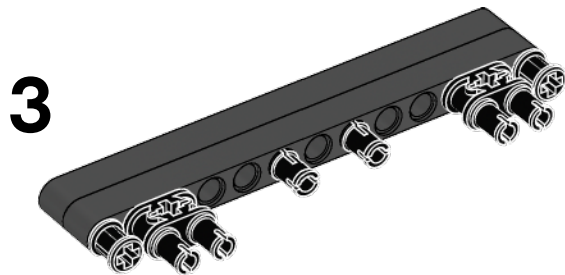
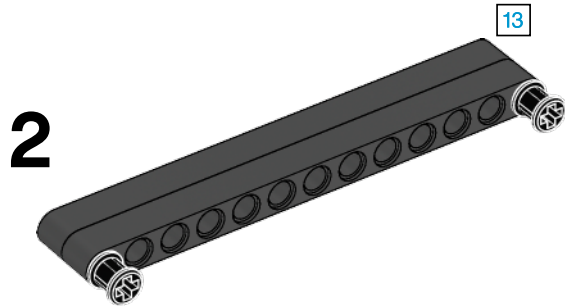
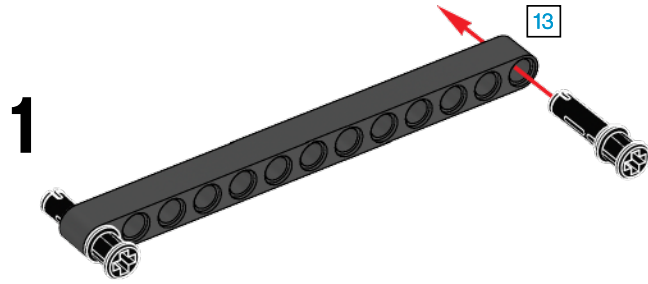


8

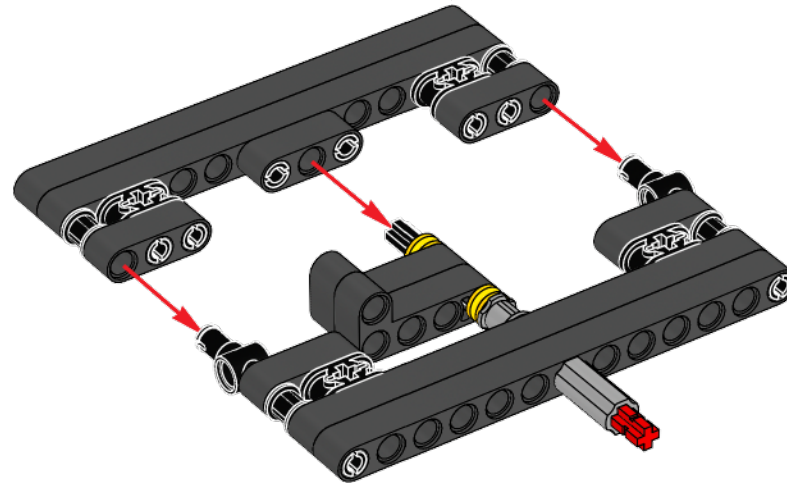
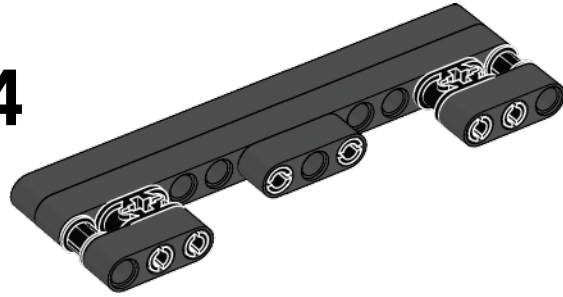


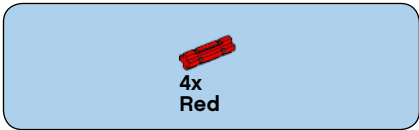


9

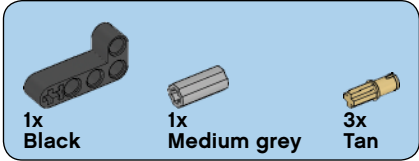
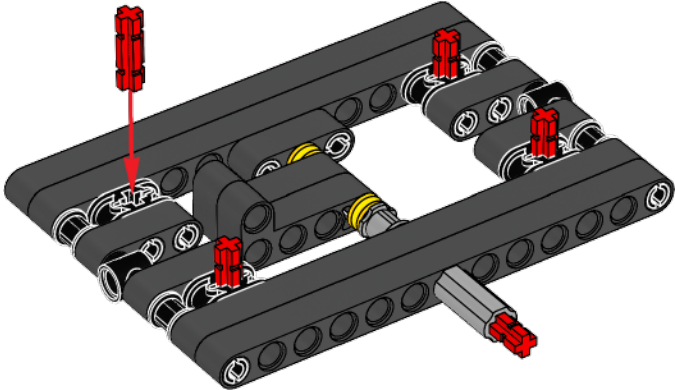


4

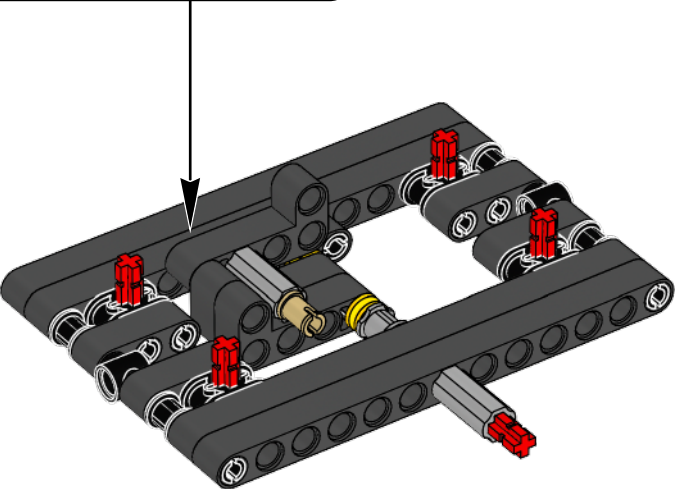
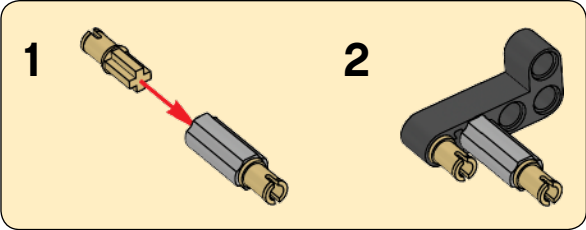


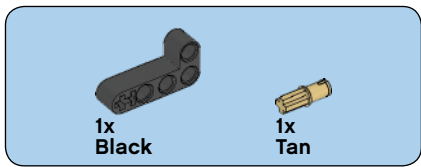


10

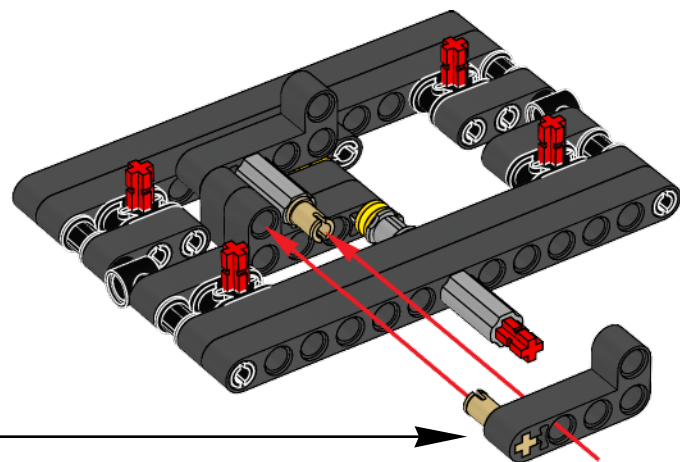
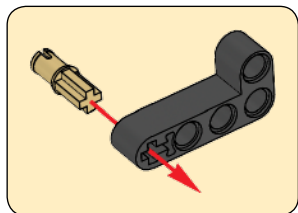


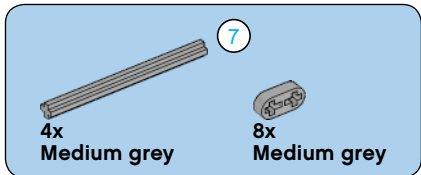
11



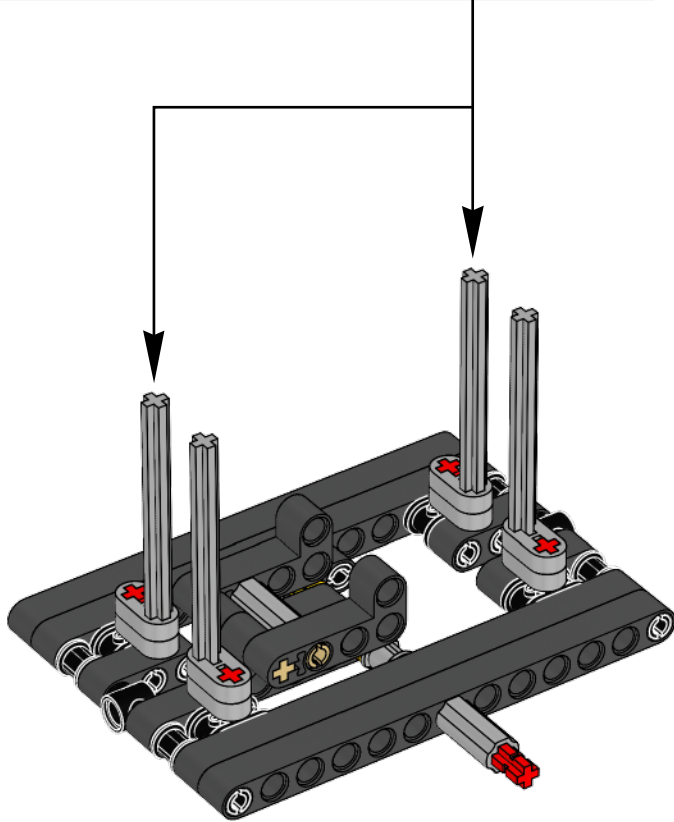
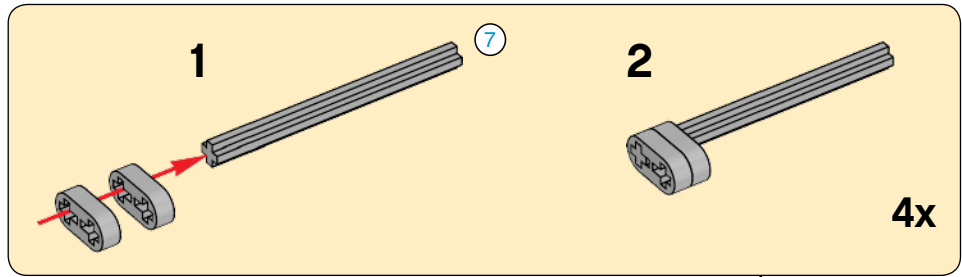


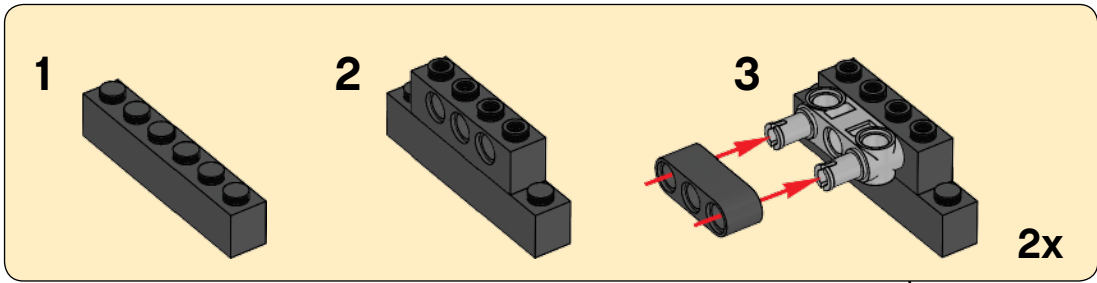
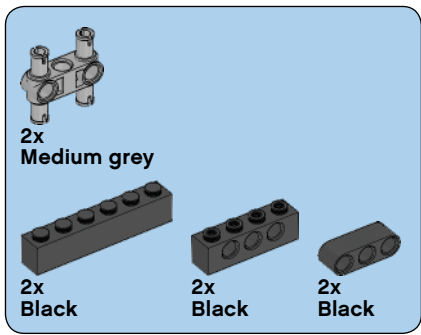
12



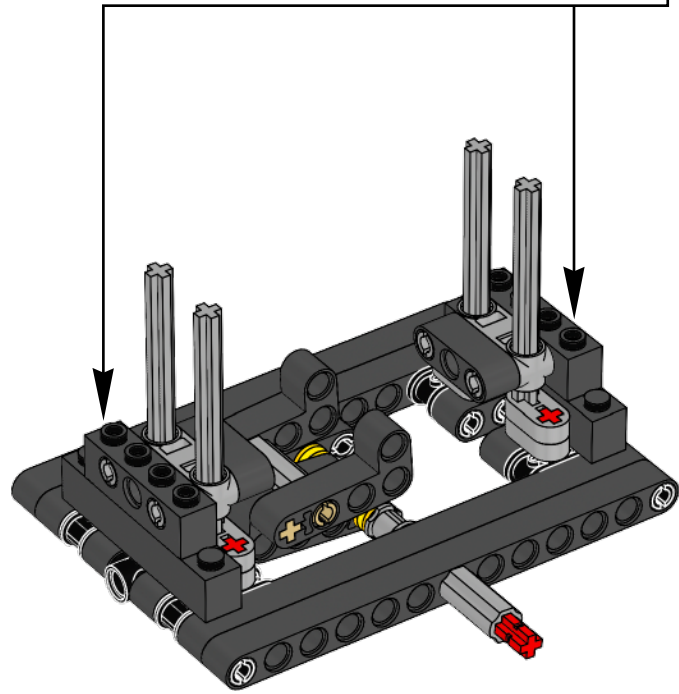


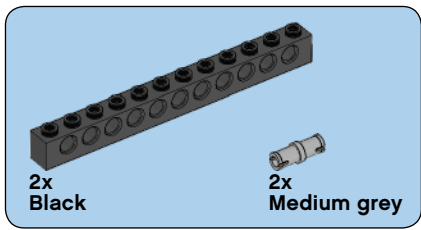
13



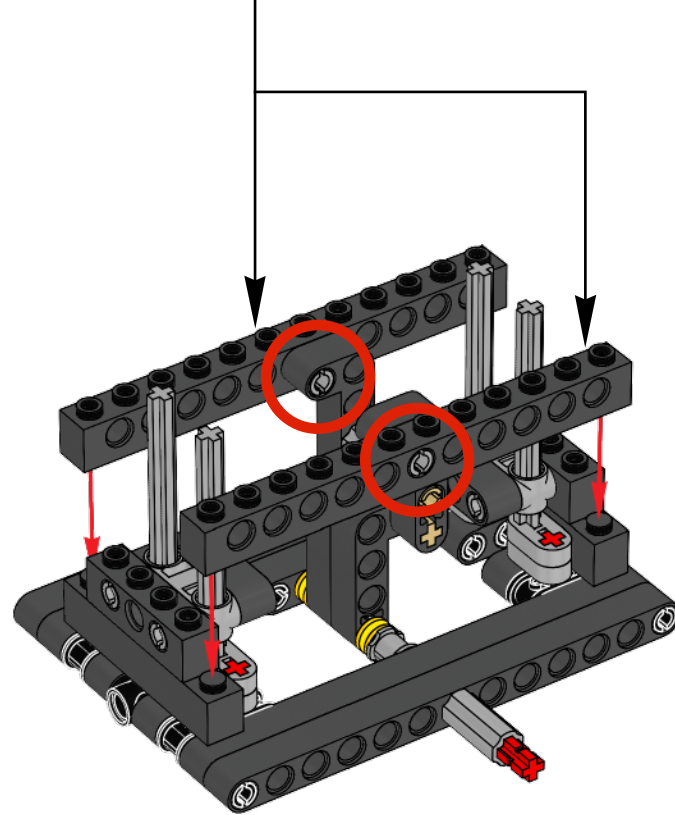
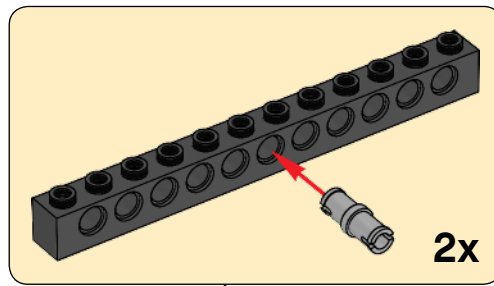


14





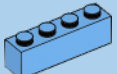
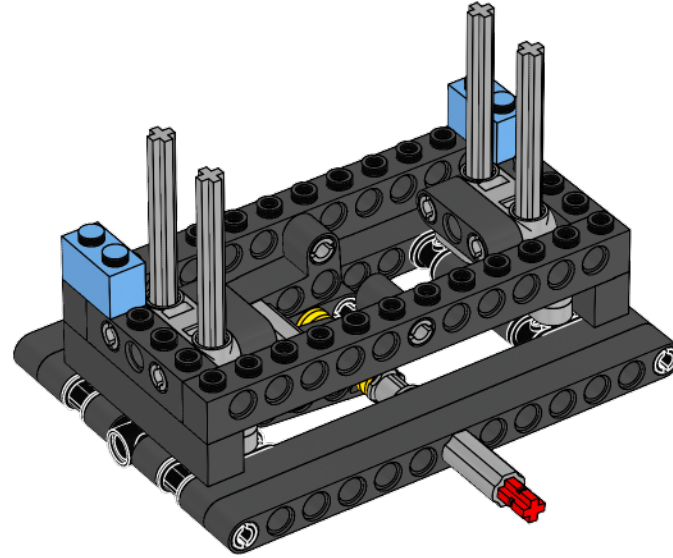
15





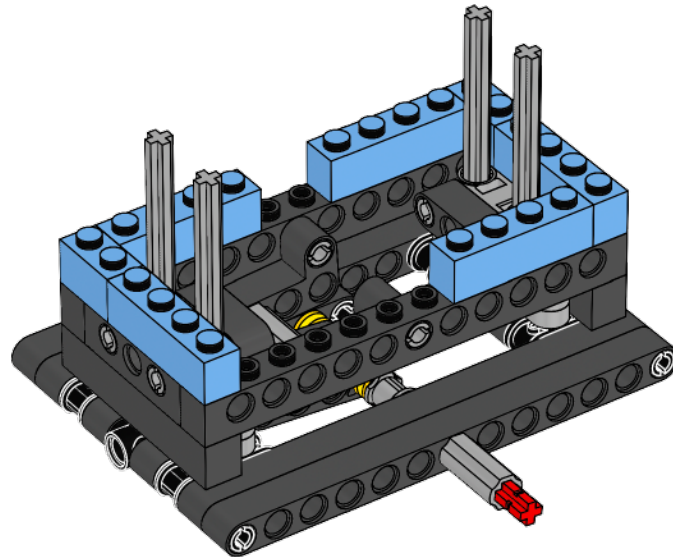
2x
Light blue

16



5x
Light blue

17



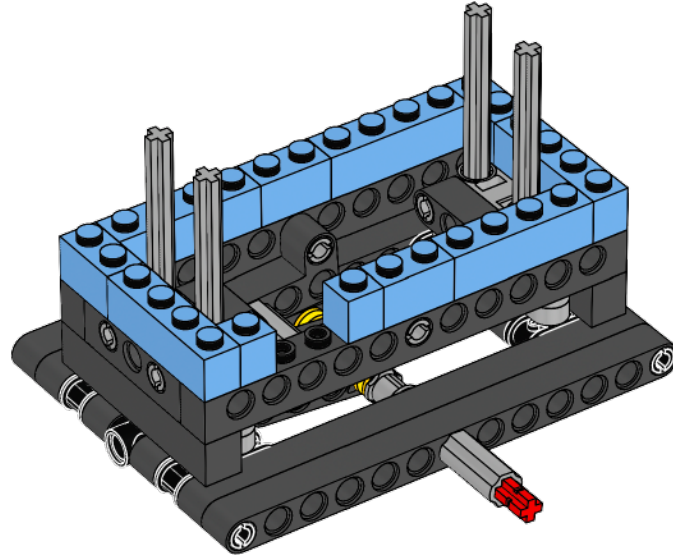


2x
Light blue



2x
Light blue

18

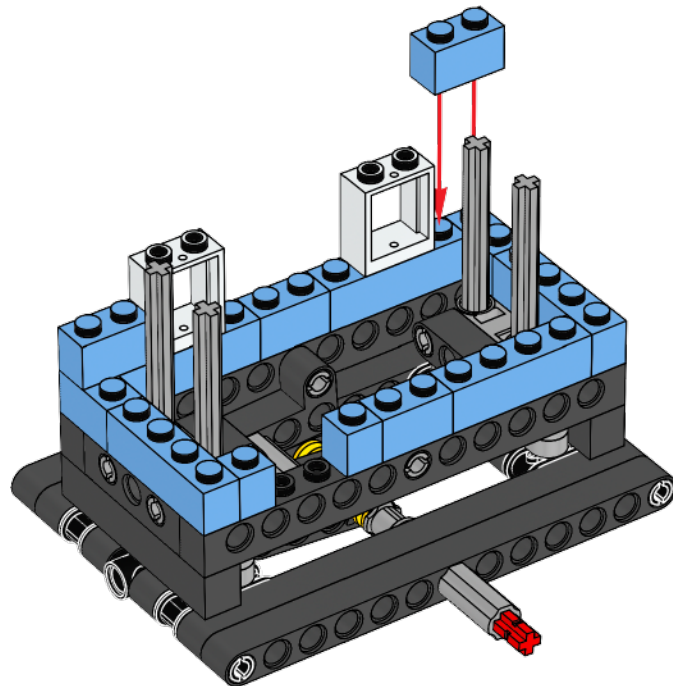


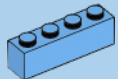
2x
Light blue



2x
White

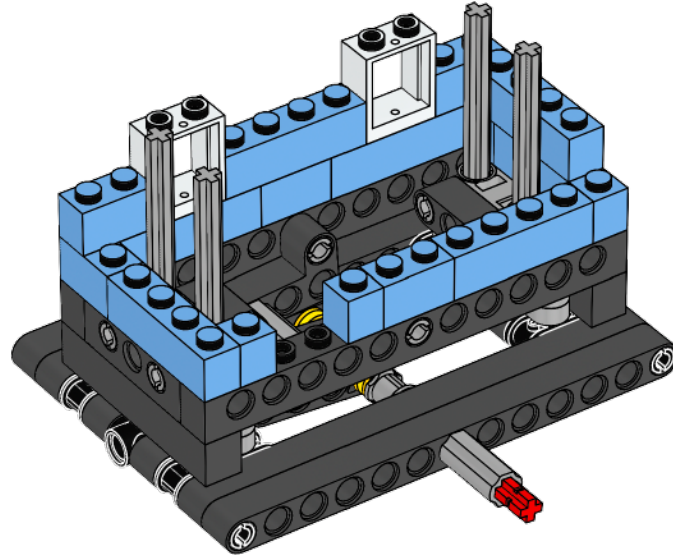
19





2x
Light blue

20

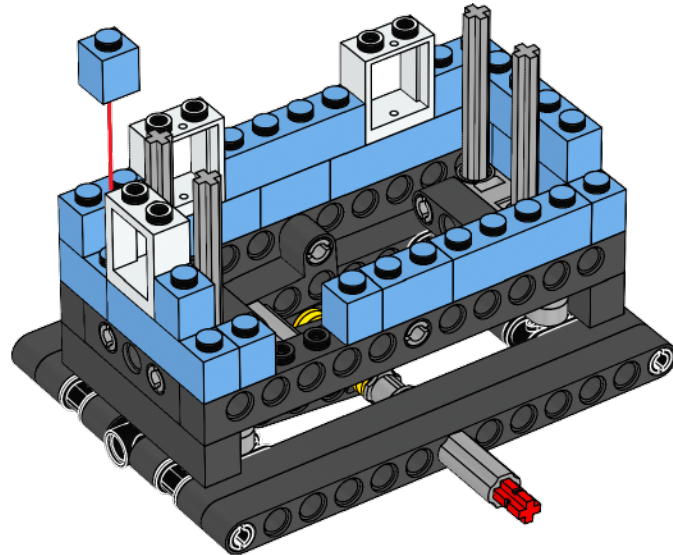


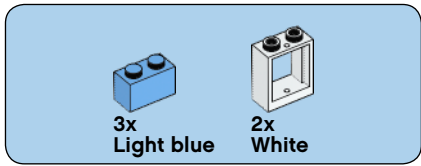
2x
Light blue



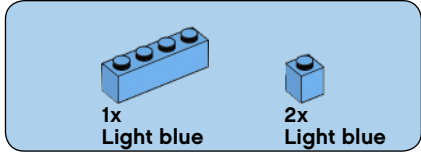
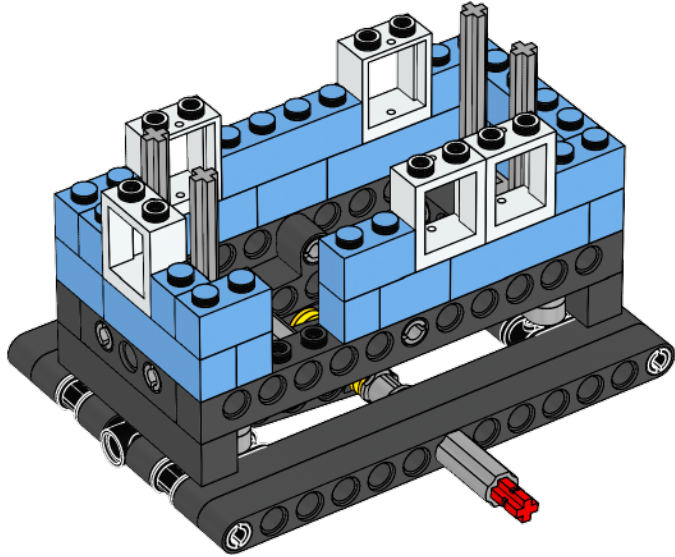
1x
White

21

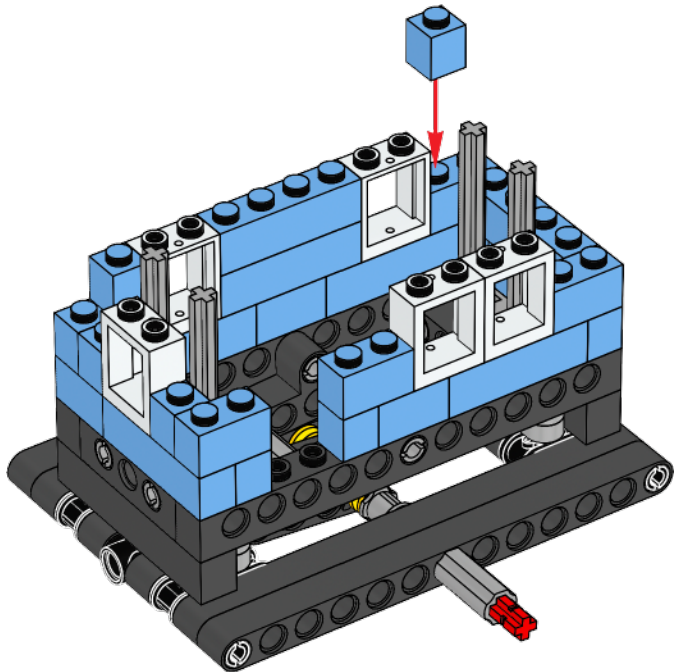




22



23



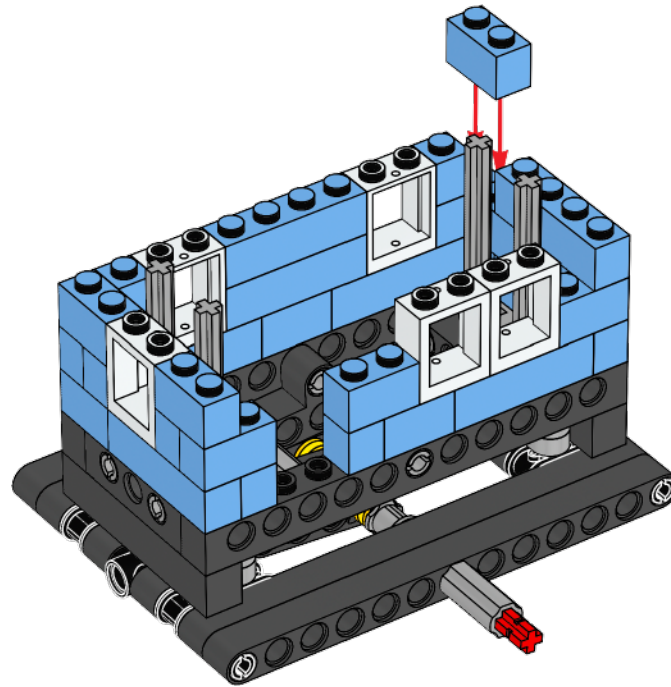


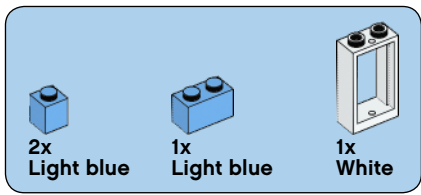
1x
Light blue



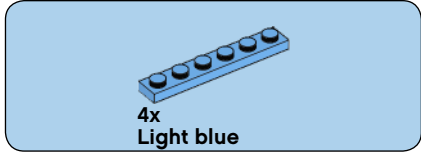
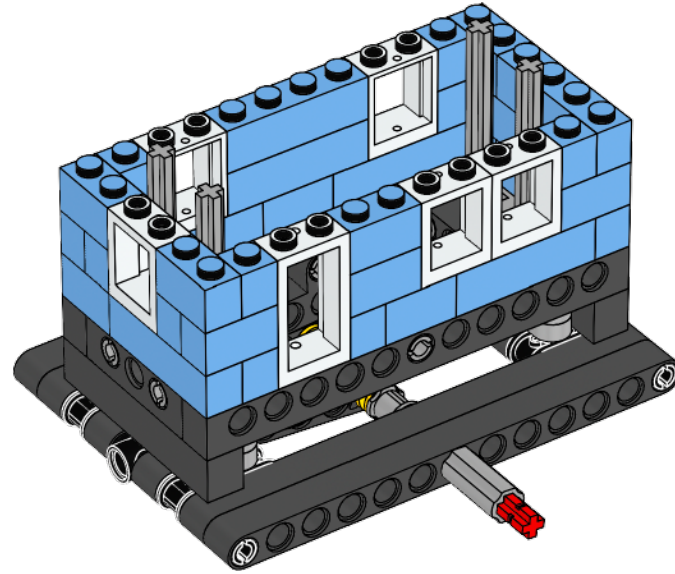
3x
Light blue

24

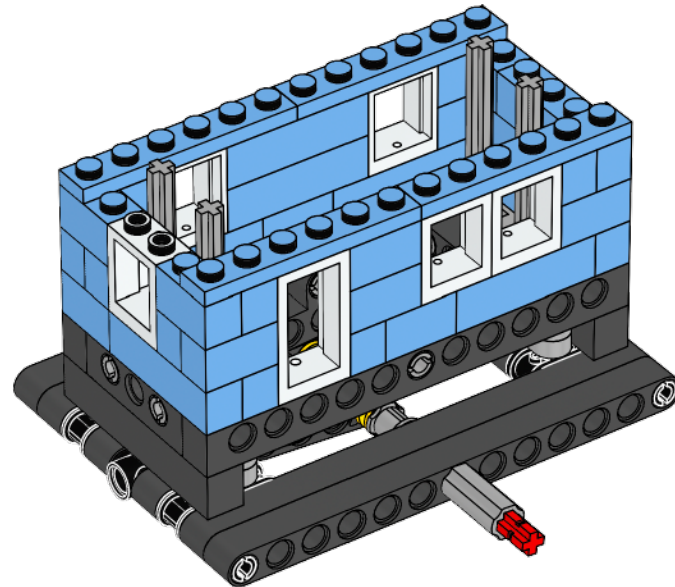


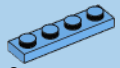


25



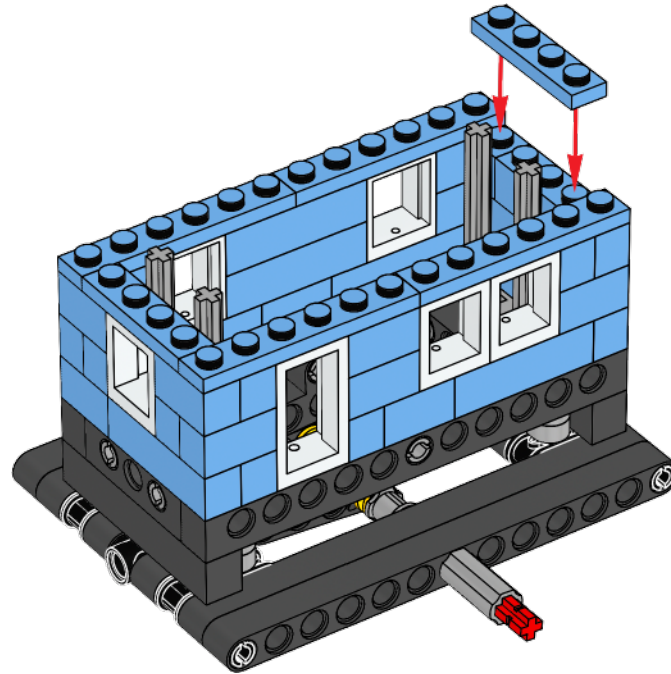
26

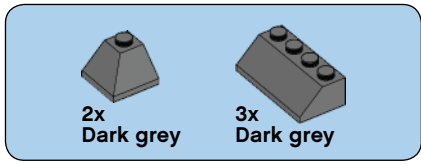




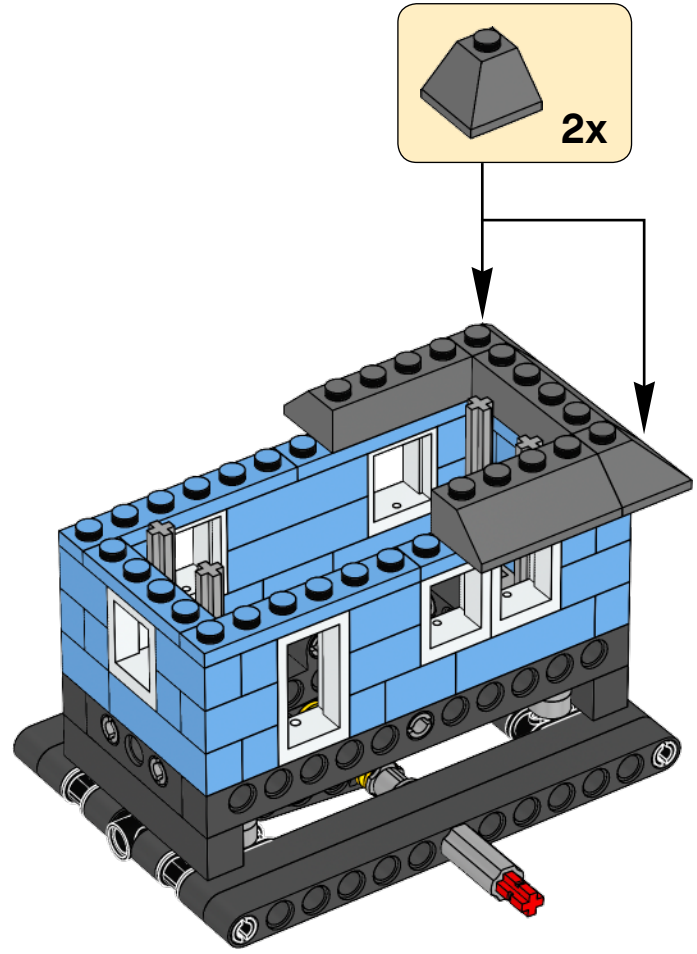
2x
Light blue

27



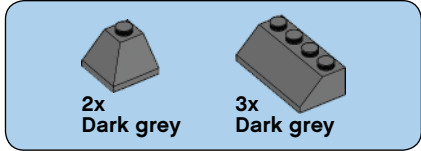
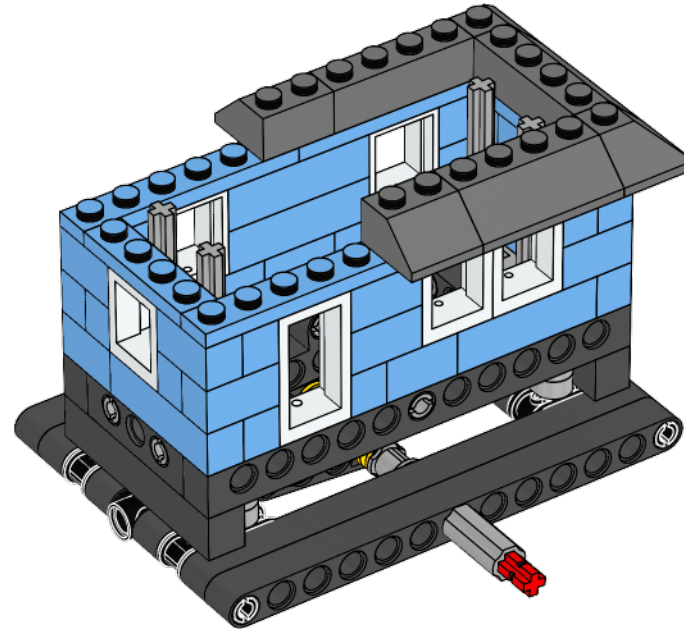


28

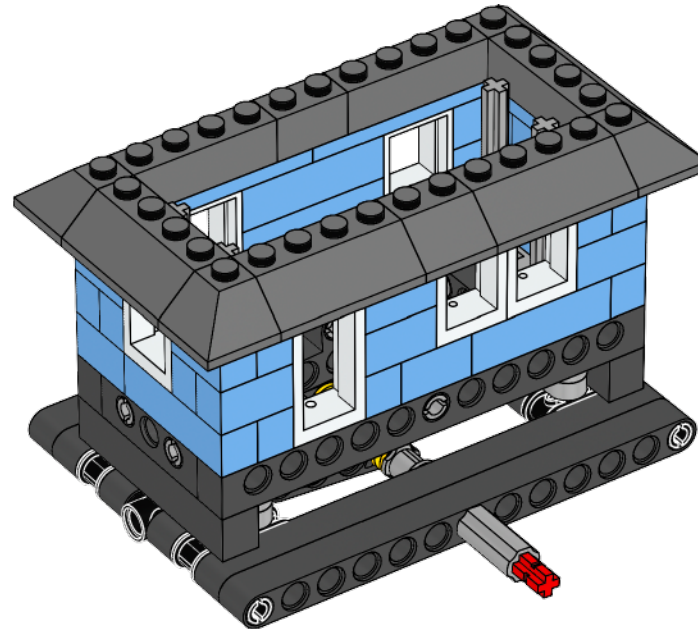


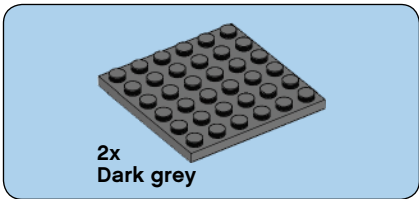


29



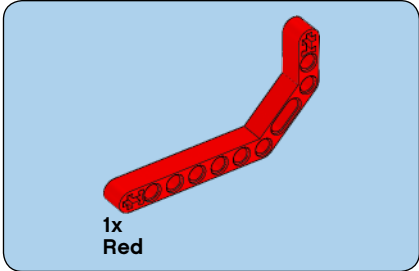
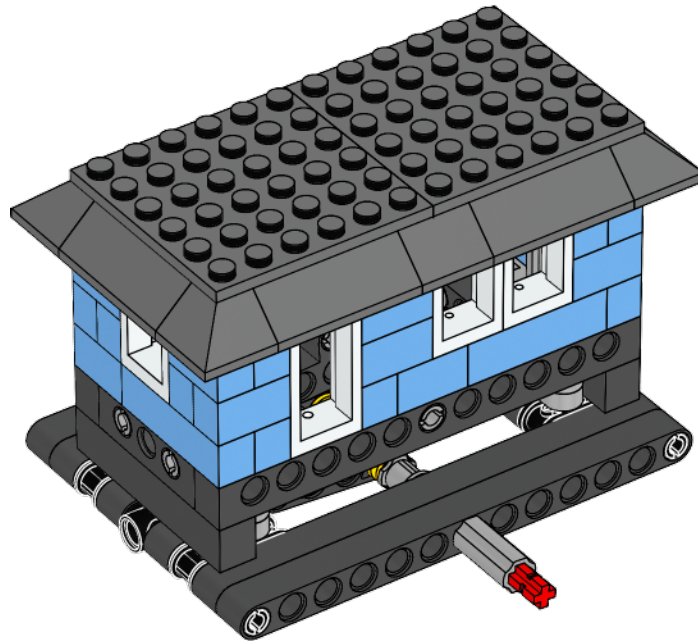
30





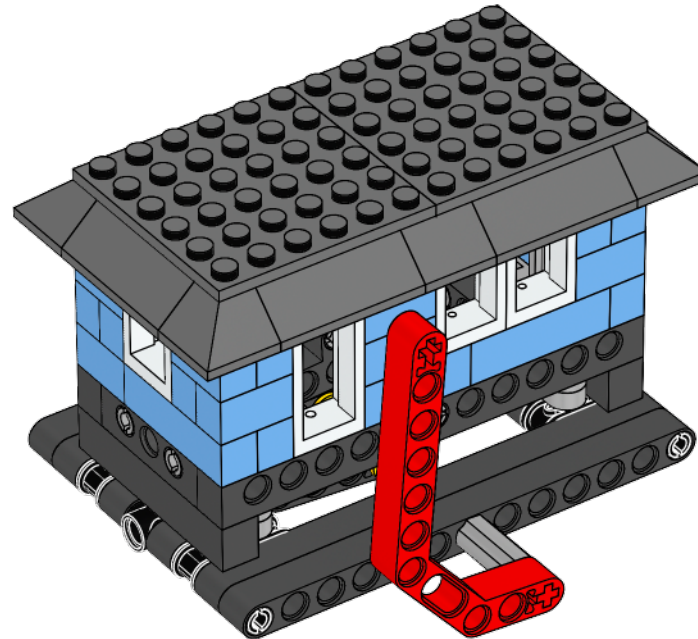
2x
Dark grey

31



1x
Red

32



BAG 6

LEGO and the LEGO logo are trademarks of the/son des marques de commerce de/son marcas registradas de LEGO Group. ©2013 The LEGO Group.

The *FIRST*® logo is a registered trademark of the/Le *FIRST*® logo est une marquee depose de/El logotipo de *FIRST*® es una marca comercial registrada U.S. Foundation For Inspiration and Recognition of Science and Technology.