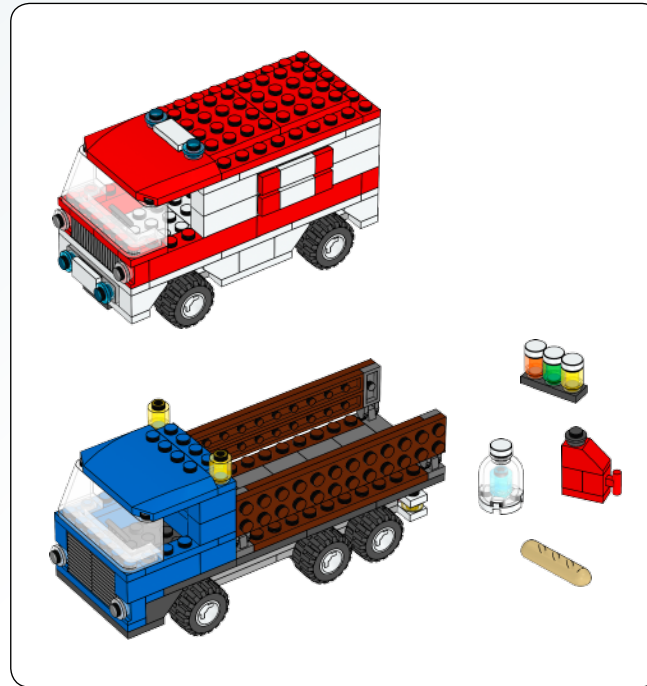
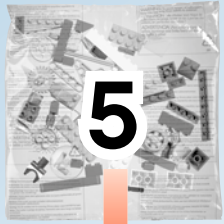
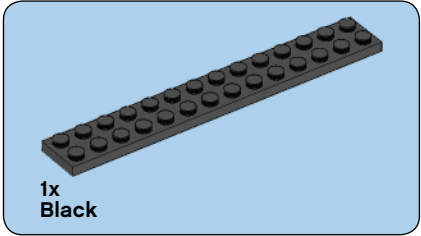
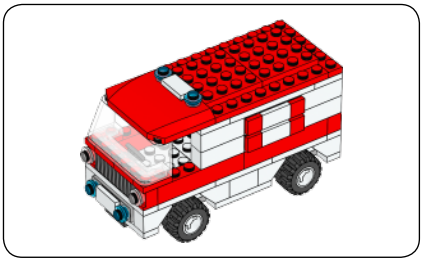
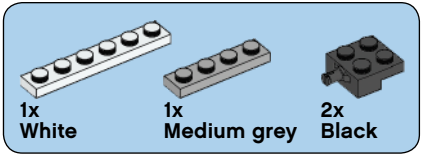
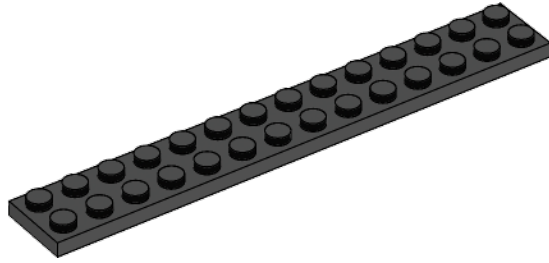


4x

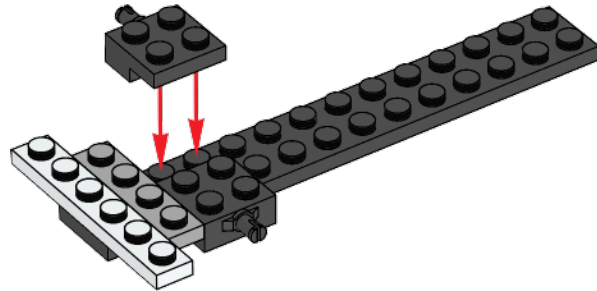


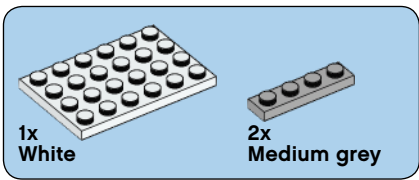


1

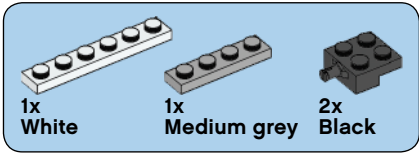
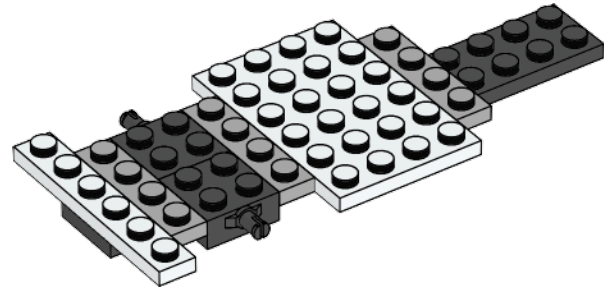


2

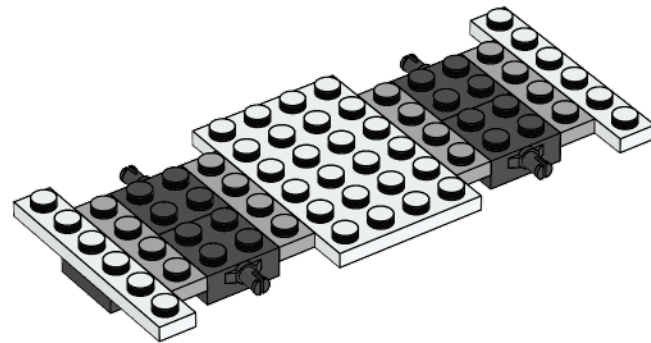




3

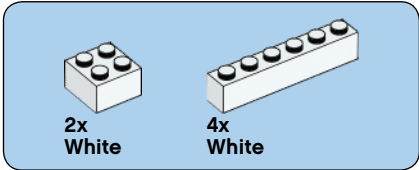
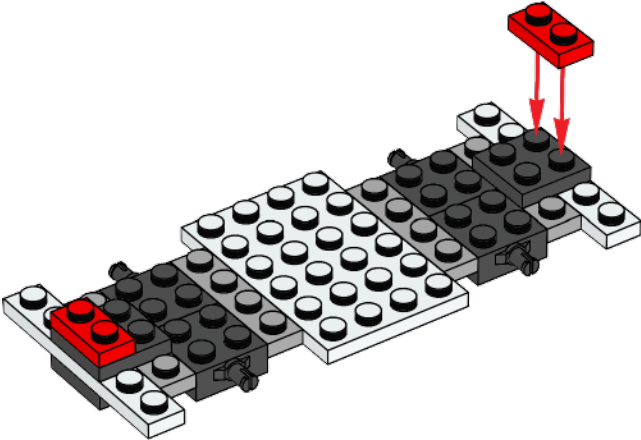


4

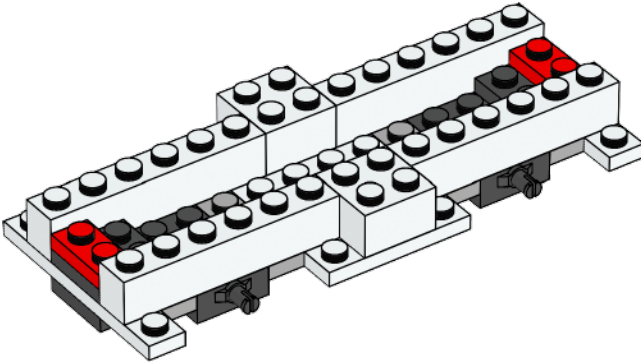


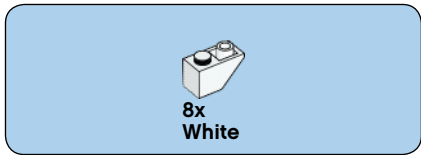


5

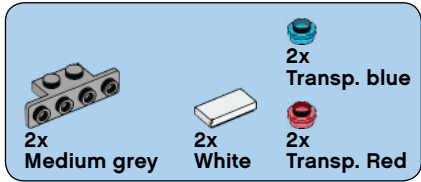
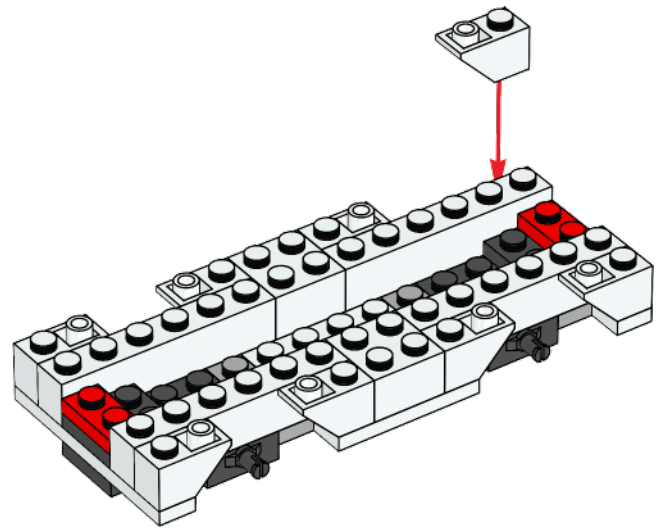


6

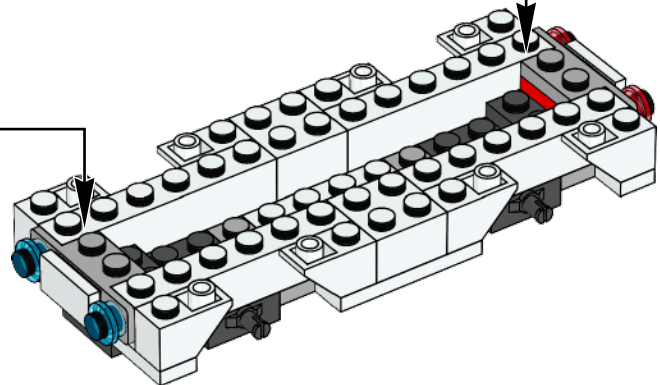
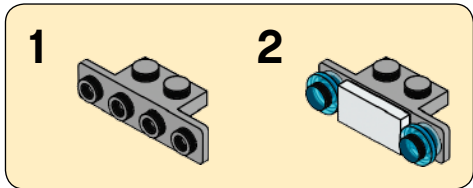
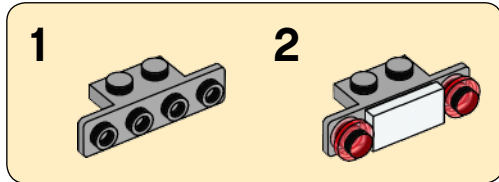


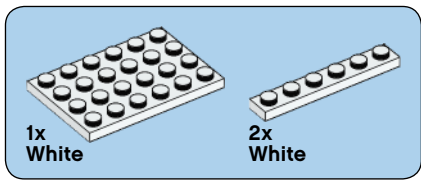


7

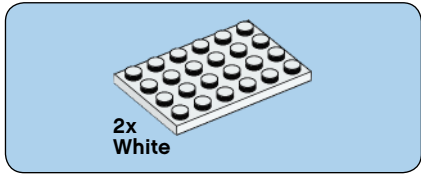
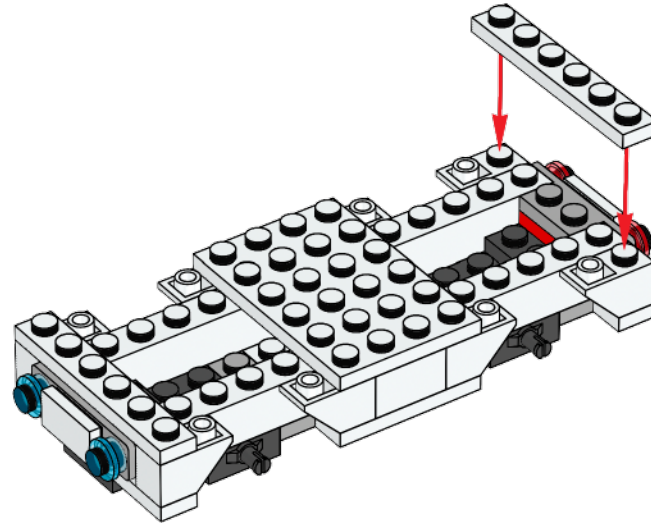


8

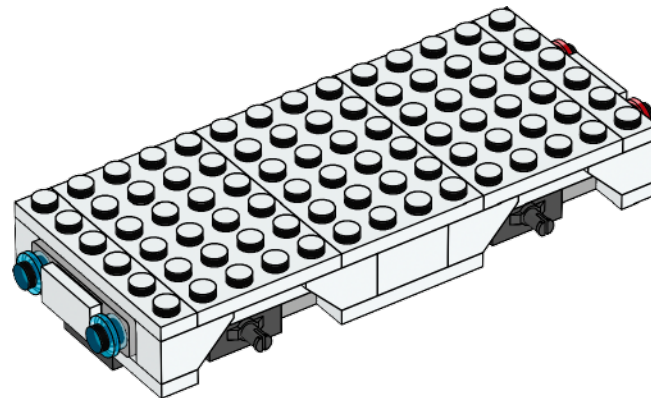


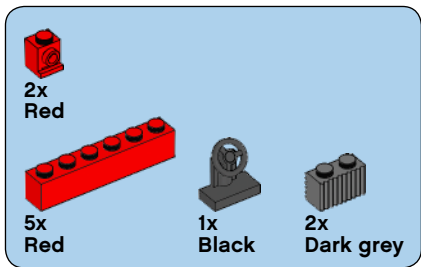


9

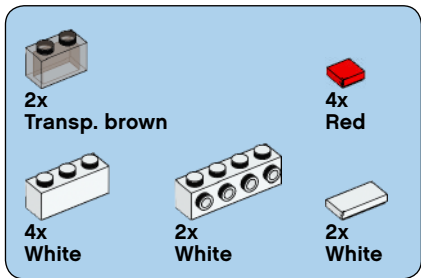
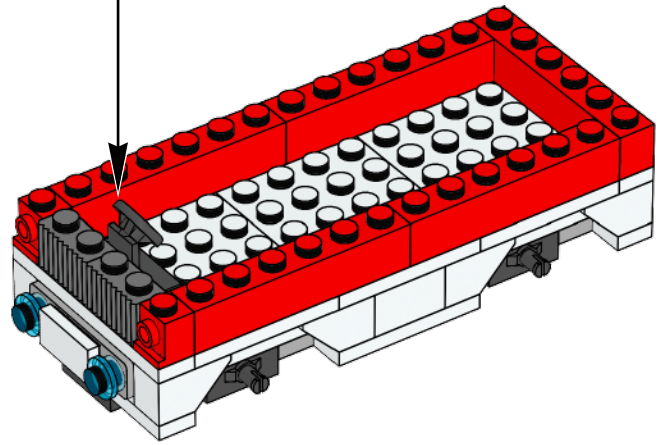
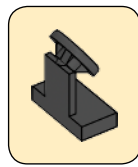


10

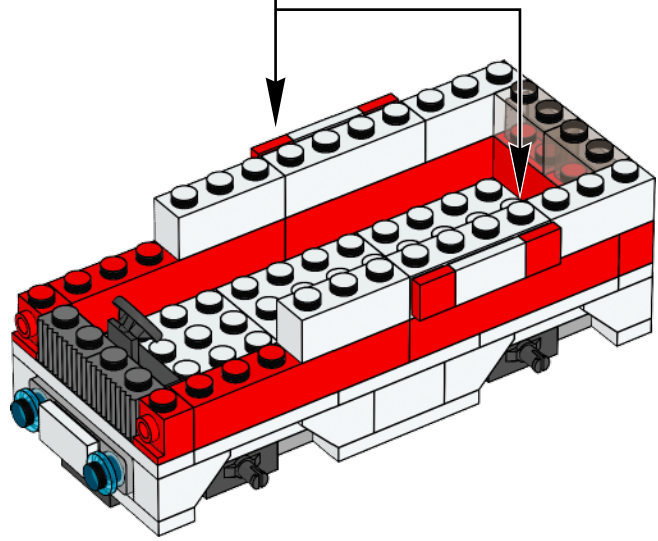
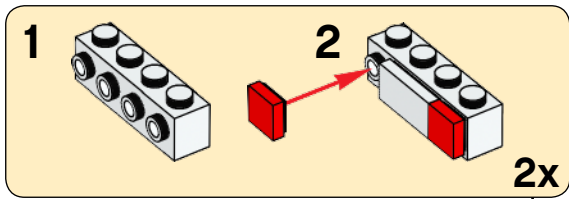


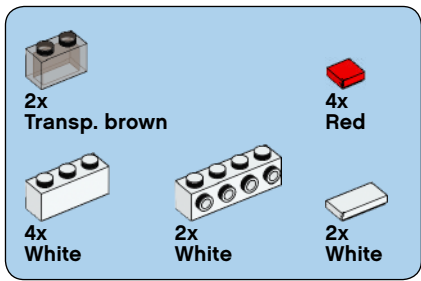


# 11

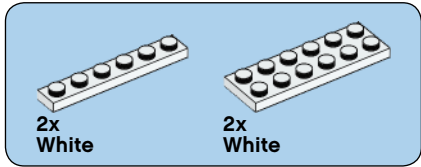
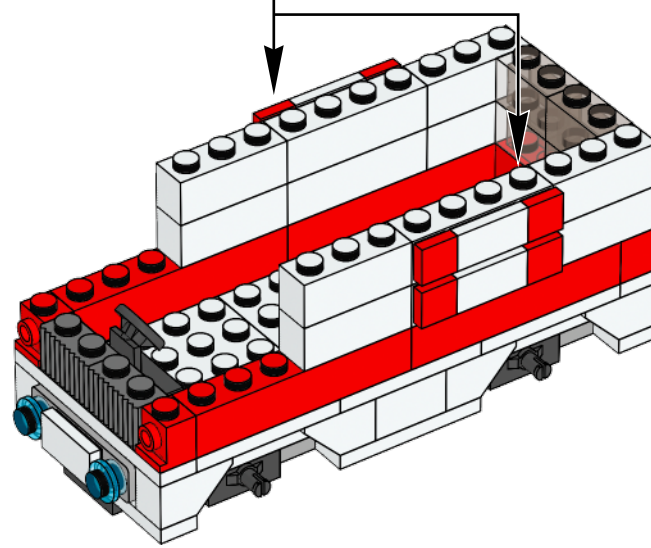
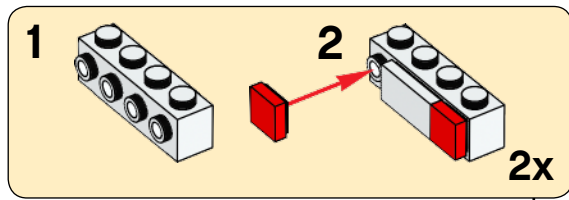


# 12

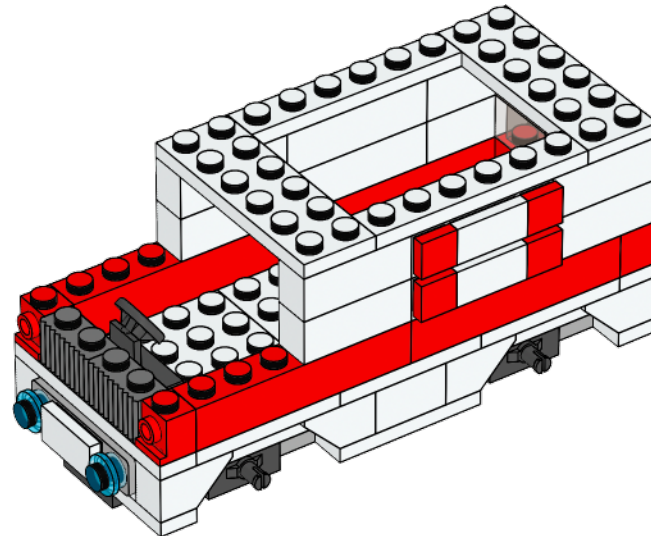




# 13



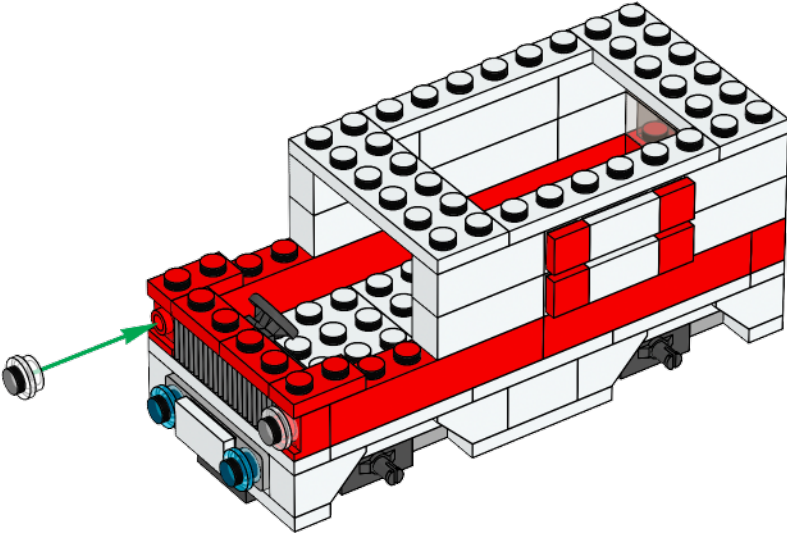
# 14





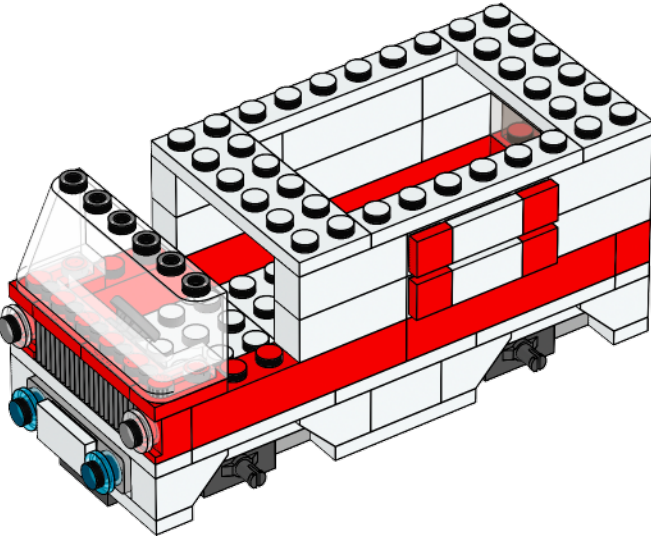
4x Red  
2x Transp.

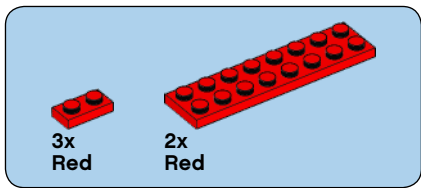
# 15



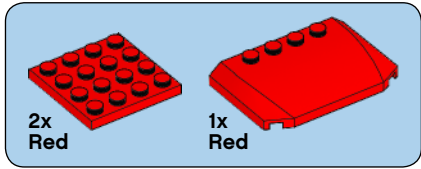
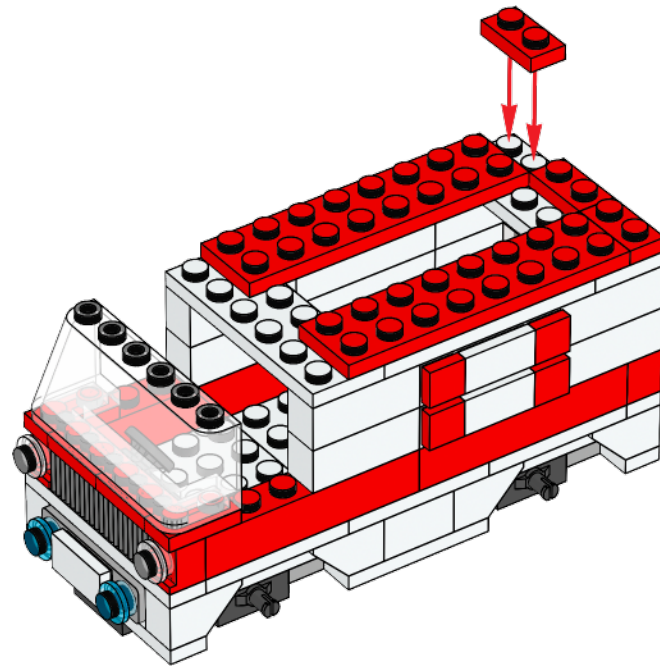
1x Transp.

# 16

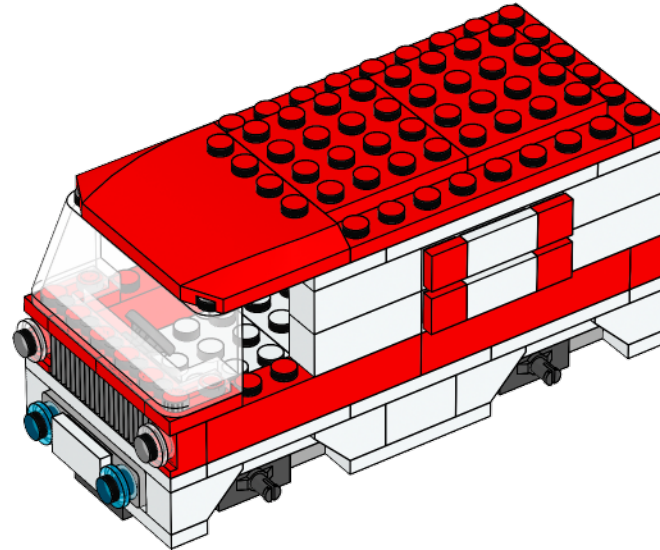


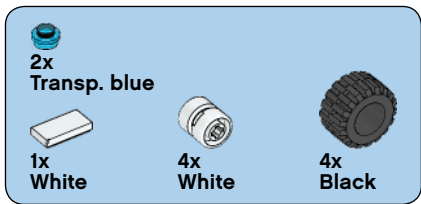


17

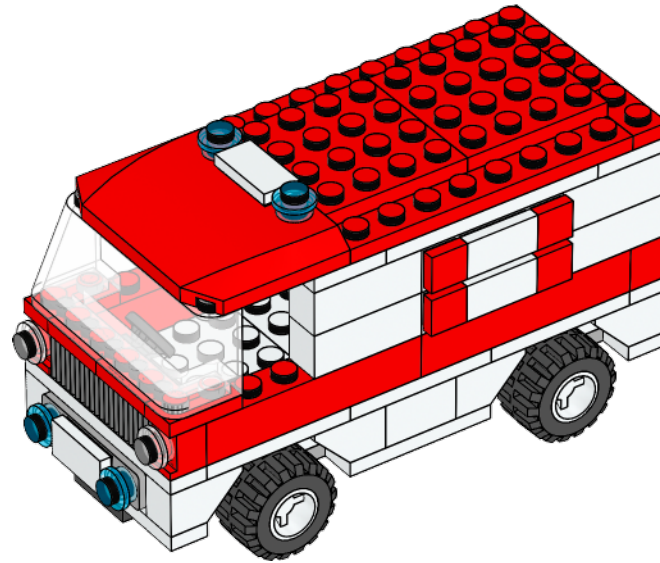


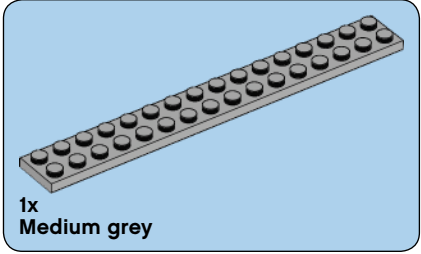
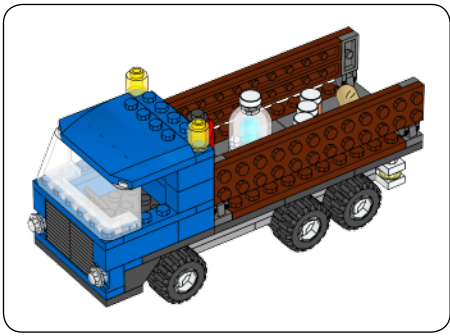
18





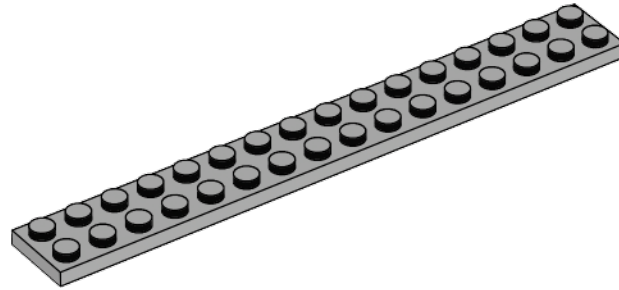
19





1x  
Medium grey

20



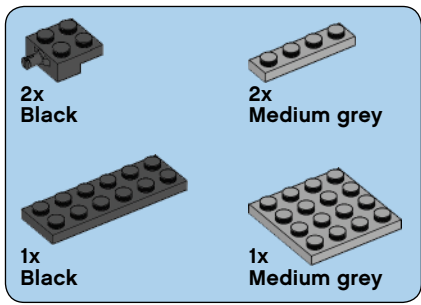
2x Transp. red  
 2x Transp. yellow  
 2x White  
 1x Medium grey  
 1x Tan

1 
 2 
 3 
 4

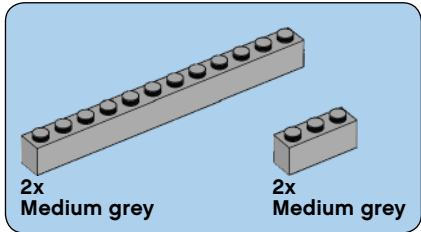
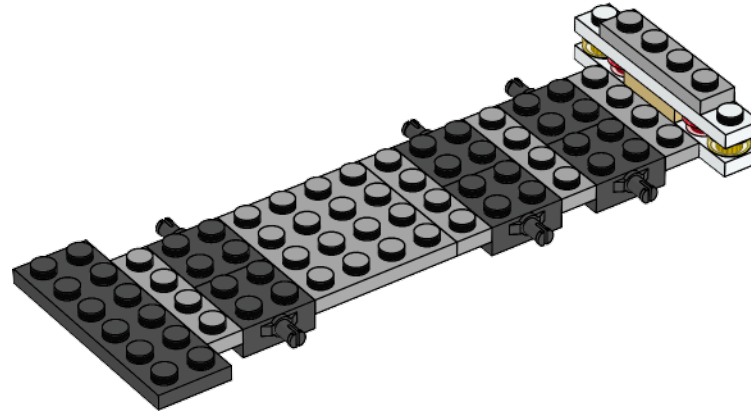
# 21

4x Black  
 2x Medium grey

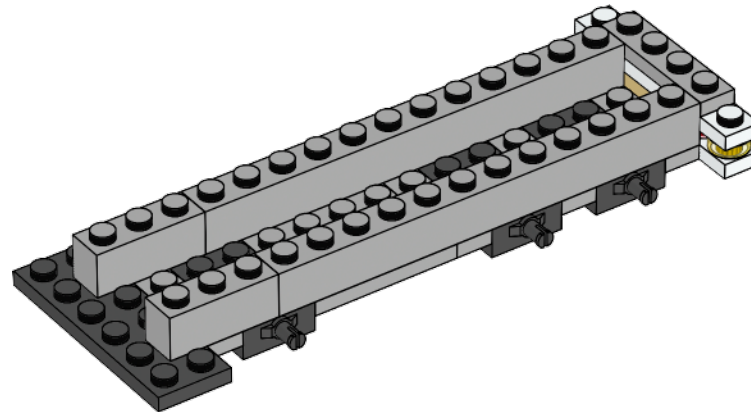
# 22



23



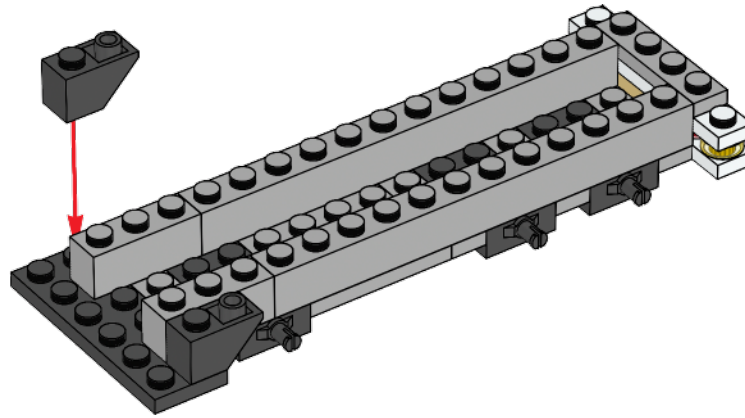
24





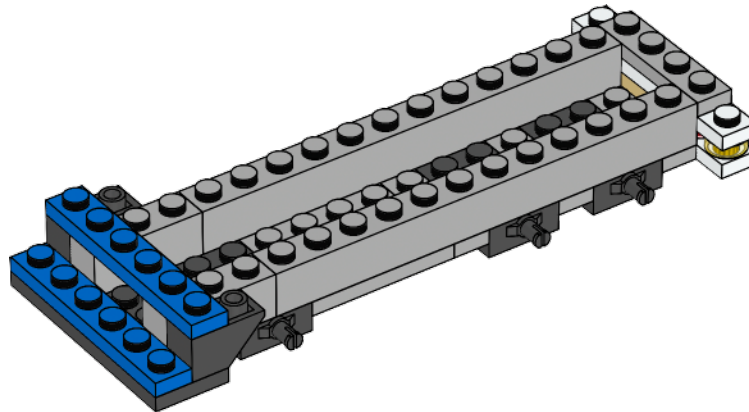
2x  
Black

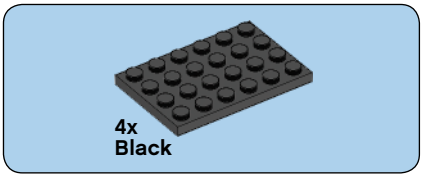
# 25



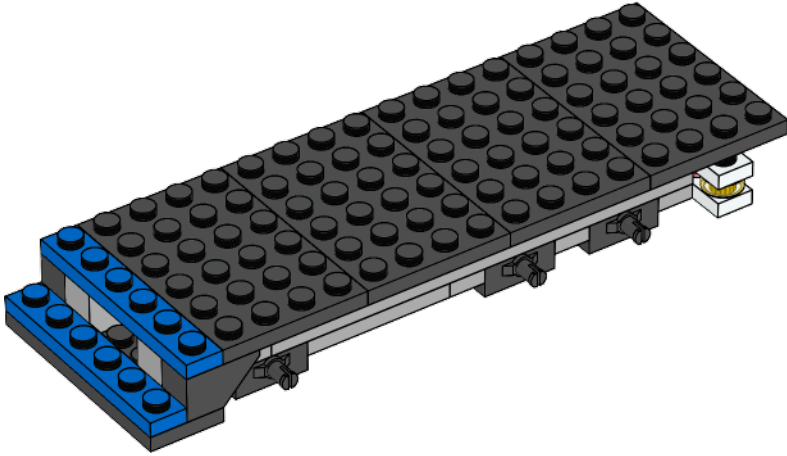
2x  
Blue

# 26

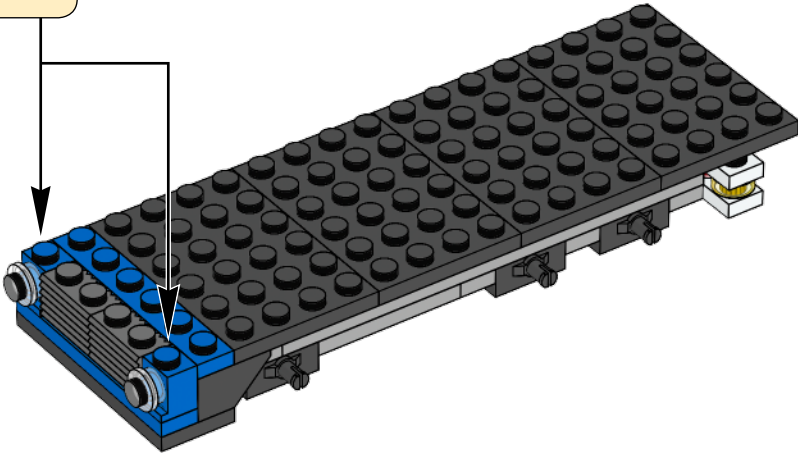
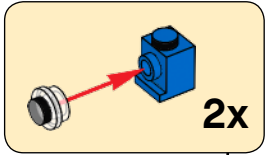




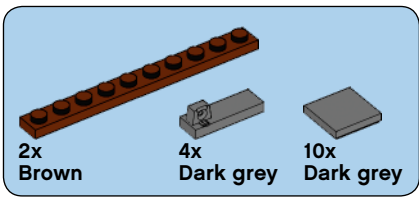
27



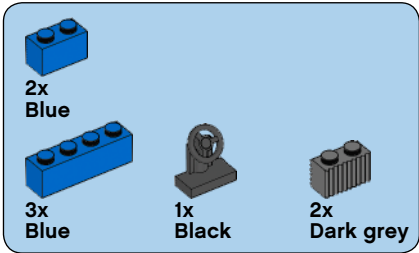
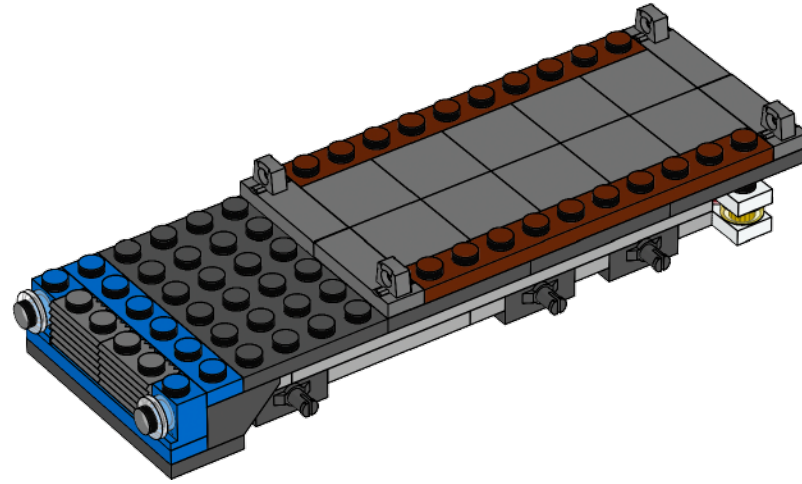
28



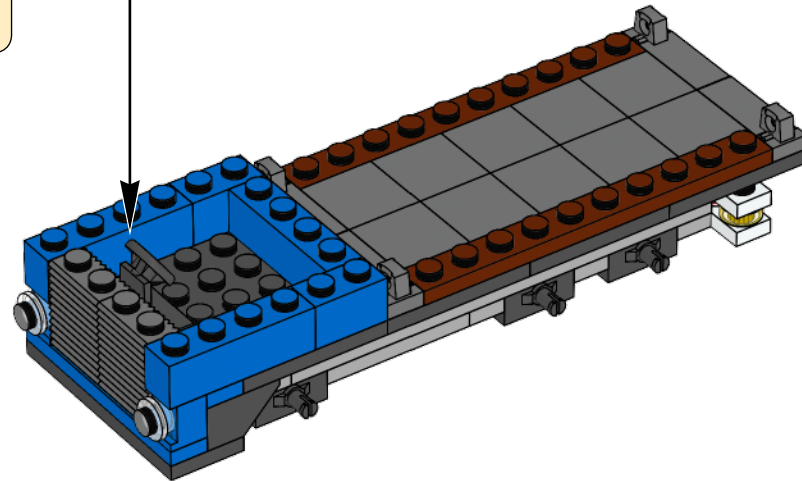
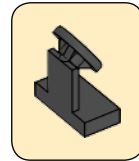


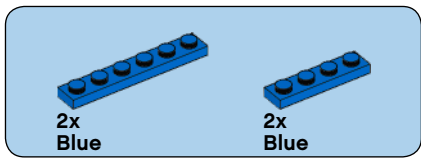


29

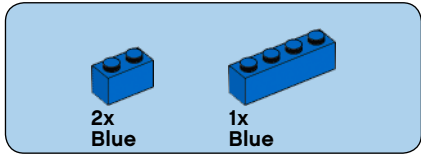
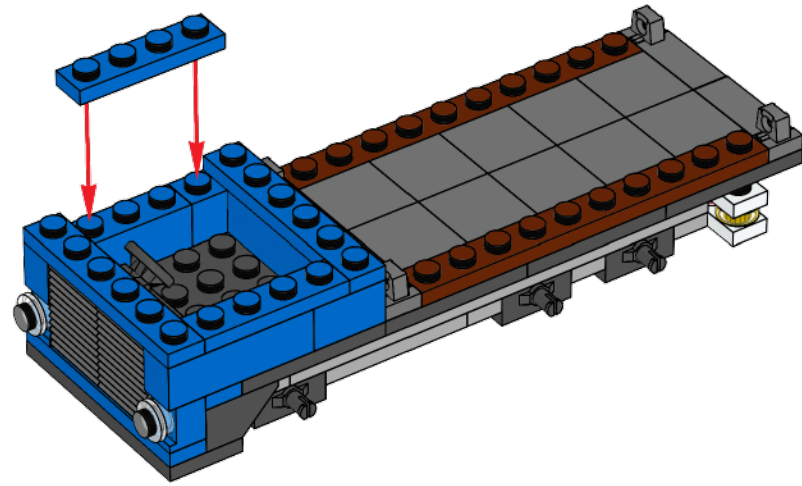


30

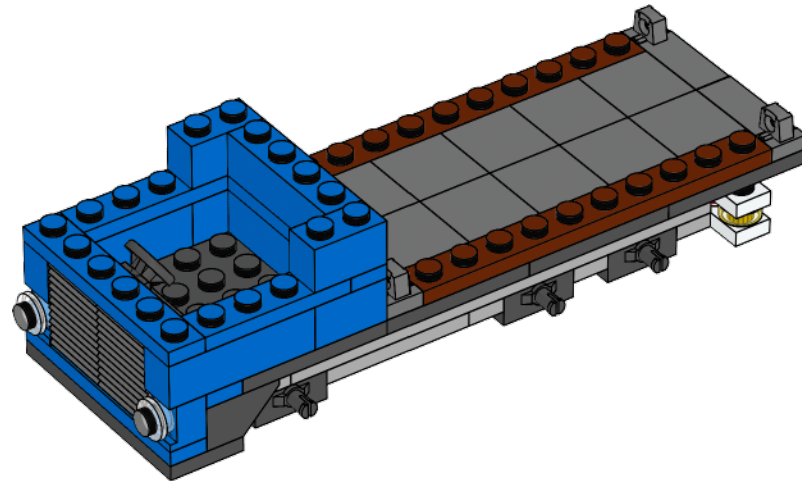


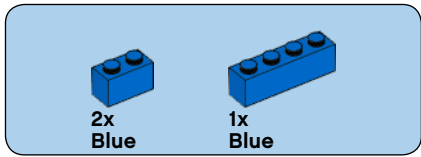


# 31

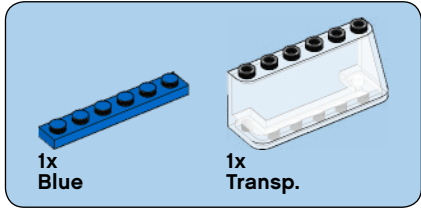
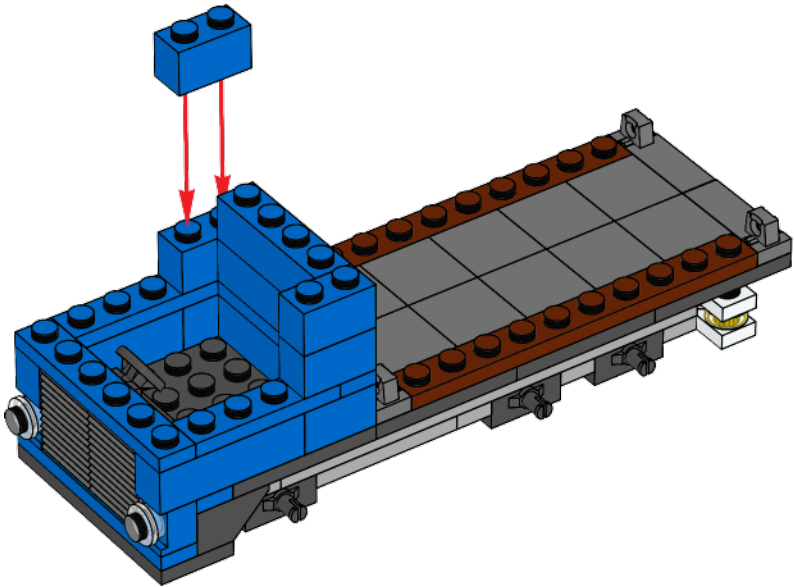


# 32

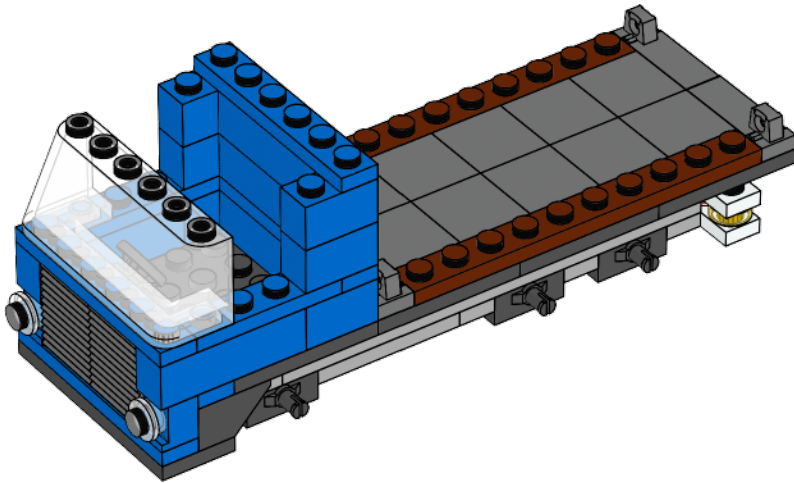


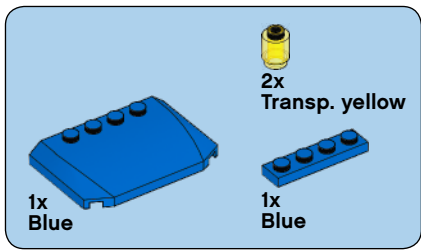


33

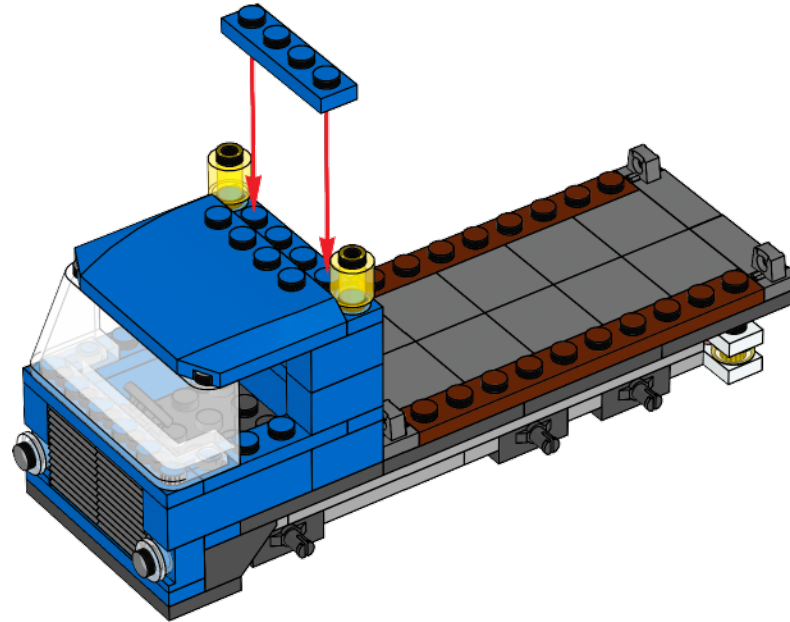


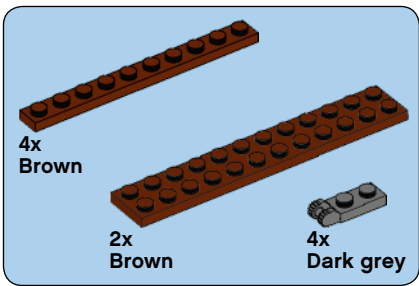
34



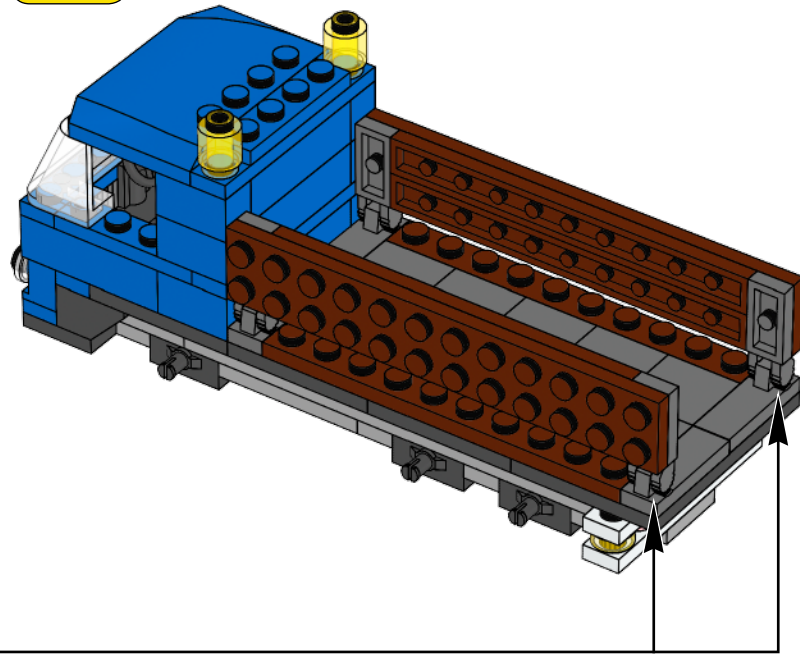
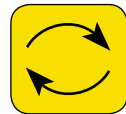
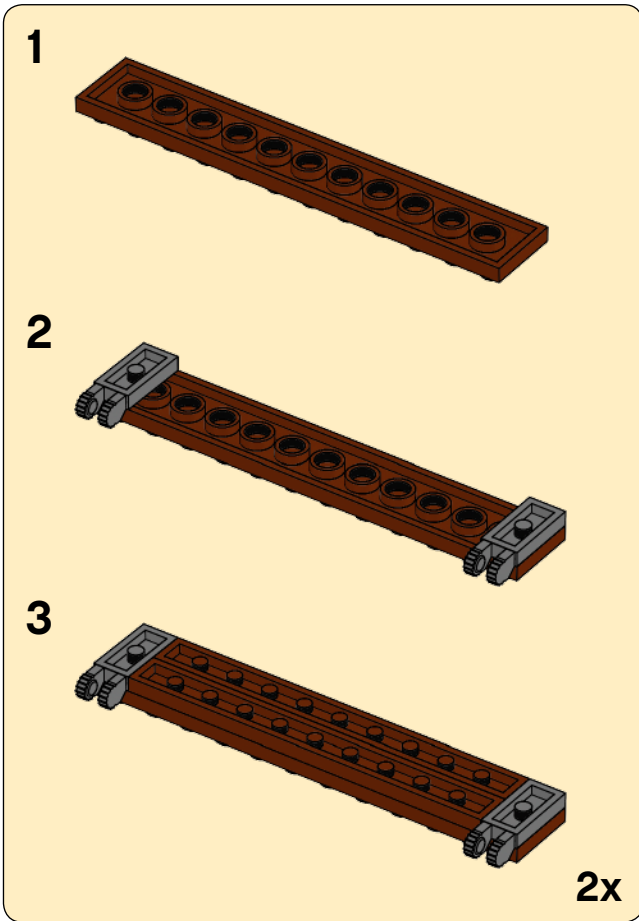


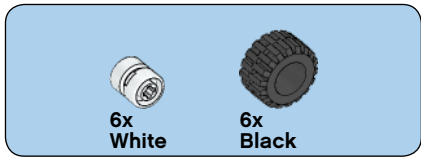
35



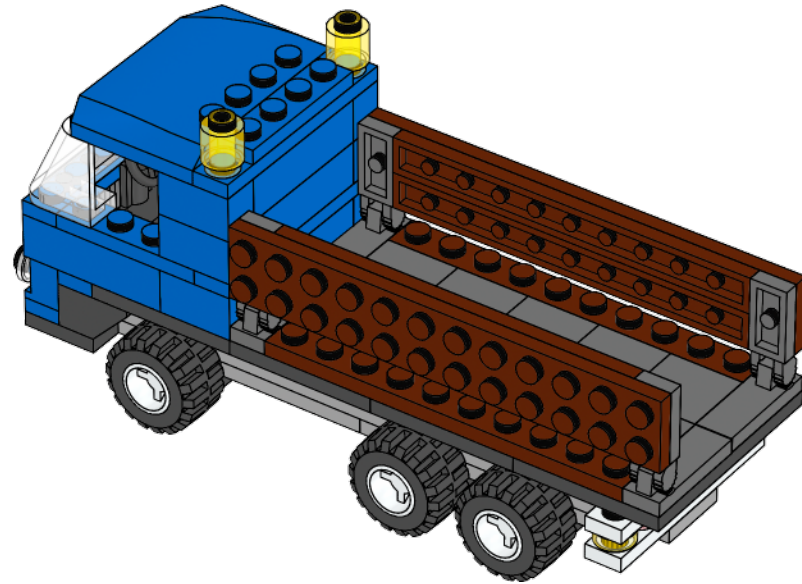


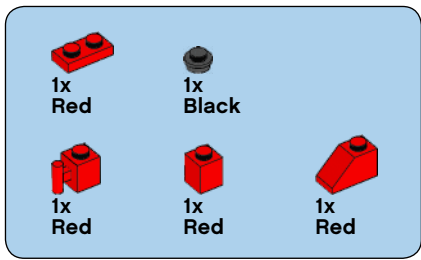
# 36



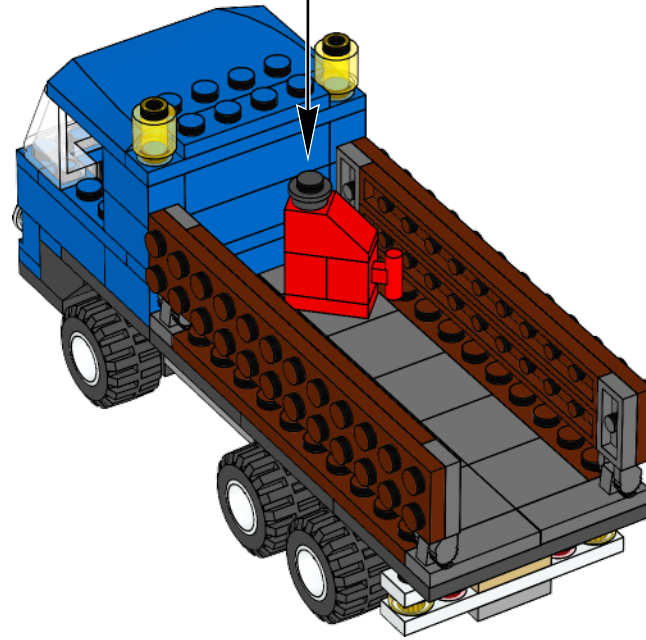
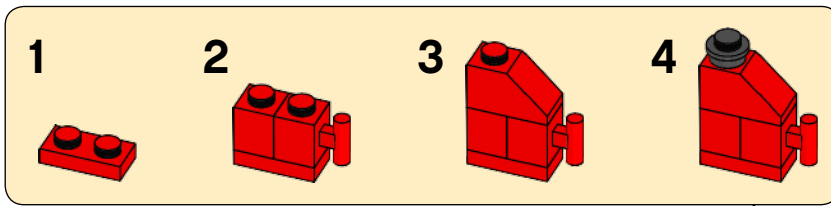


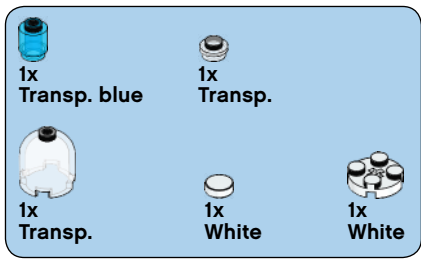
37



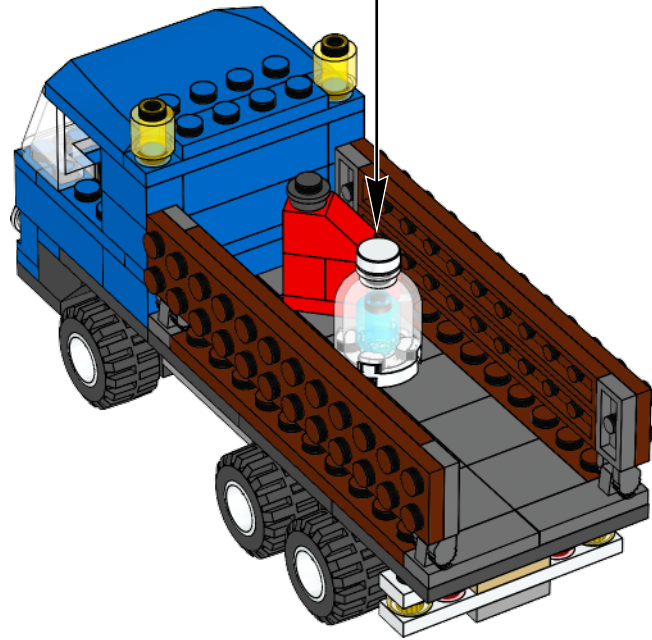
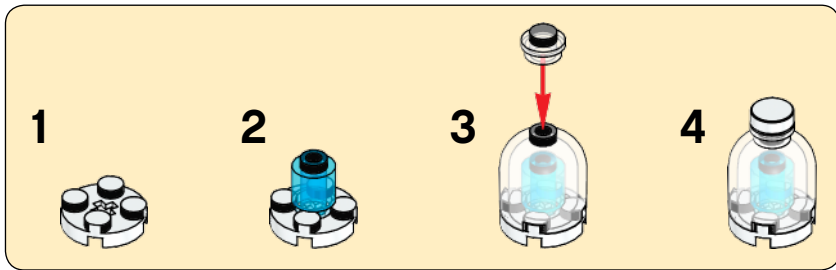


38











# 39



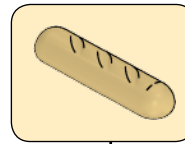


	
1x Transp. orange	3x White
	
1x Transp. yellow	1x Tan
	
1x Transp. green	1x Black

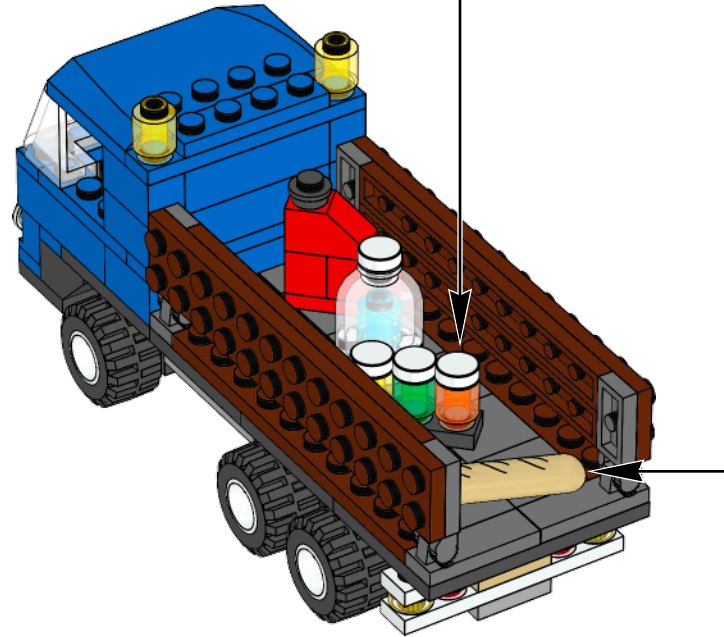
1 

2 

3 



# 40



## BAG 5

LEGO and the LEGO logo are trademarks of the/sont des marques de commerce de/son marcas registradas de LEGO Group. ©2013 The LEGO Group.

The *FIRST*® logo is a registered trademark of the/Le *FIRST*® logo est une marquee depose de/El logotipo de *FIRST*® es una marca comercial registrada U.S. Foundation For Inspiration and Recognition of Science and Technology.