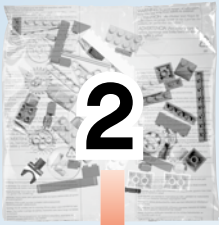


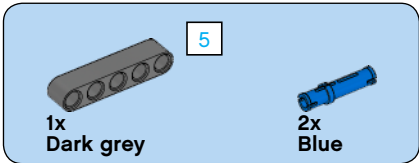
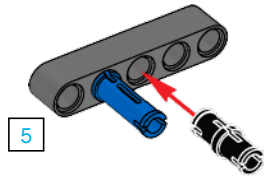
2x

2

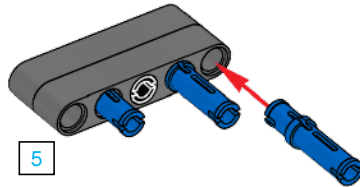


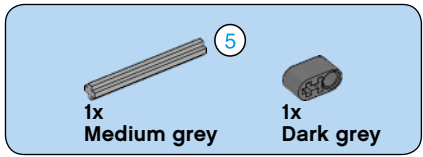


1

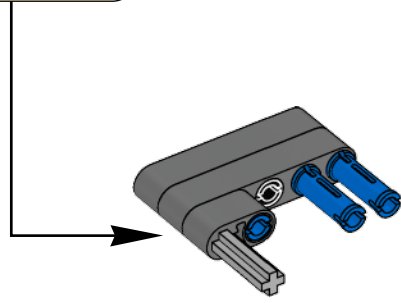
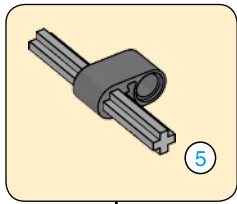


2

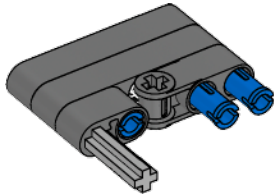


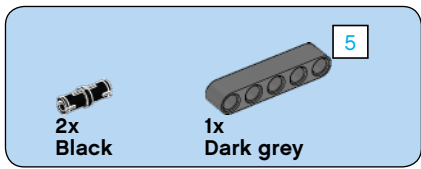


3

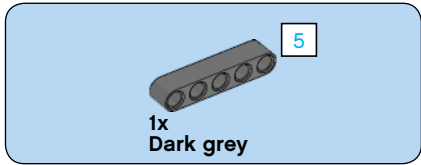
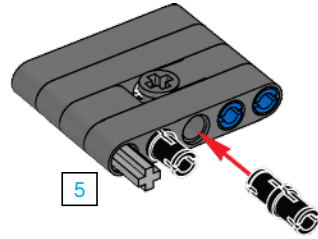


4



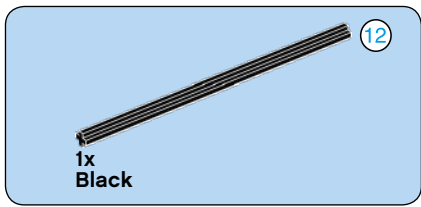


5

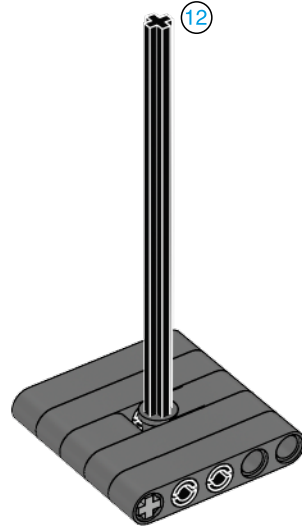


6

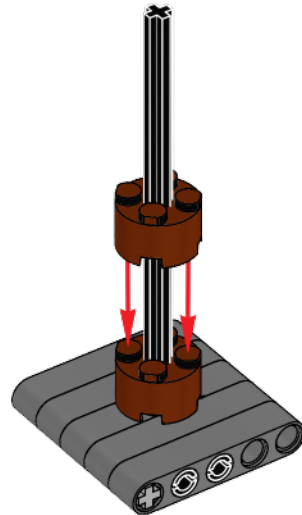




7



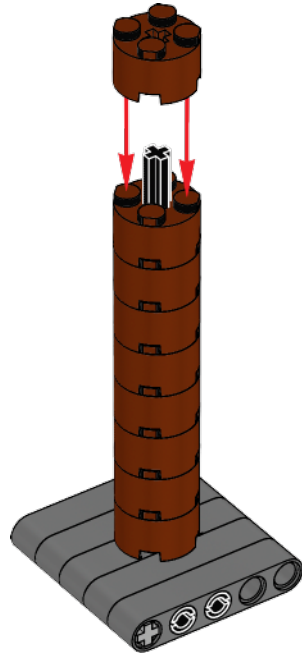
8





7x
Brown

9

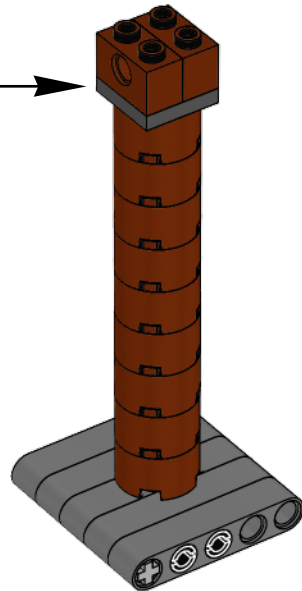
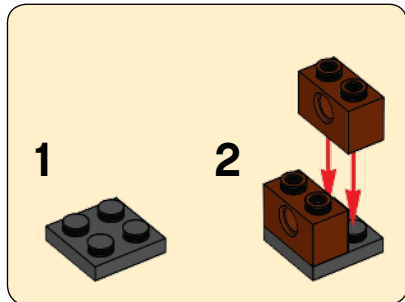


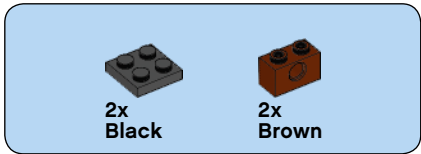
1x
Black



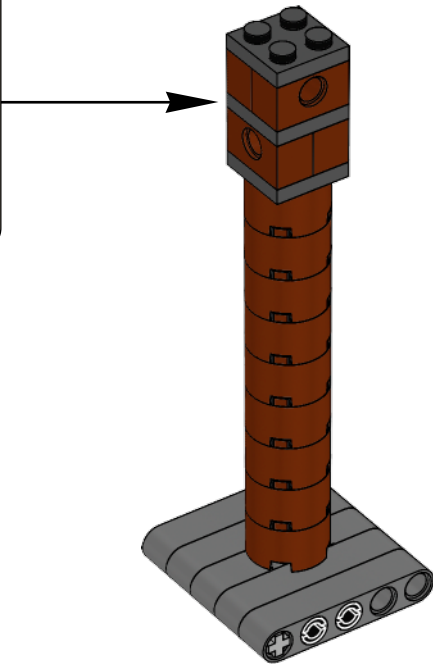
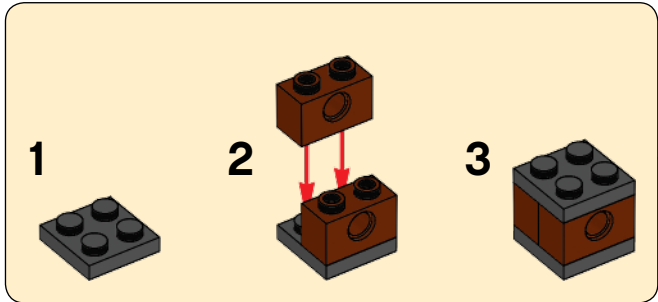
2x
Brown

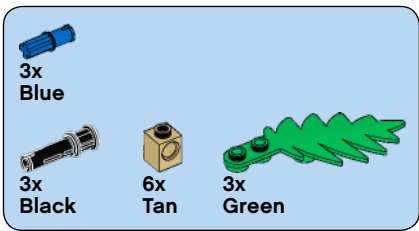
10



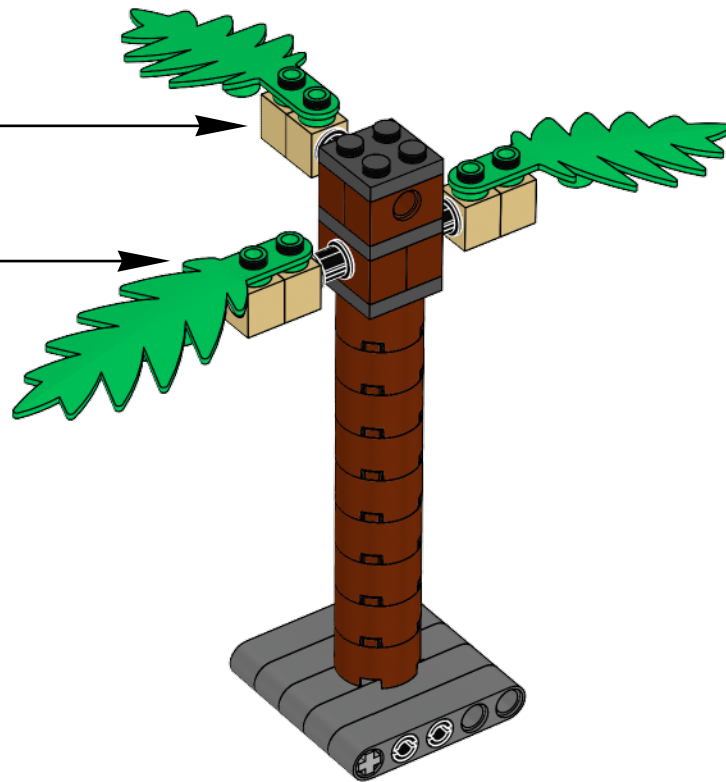
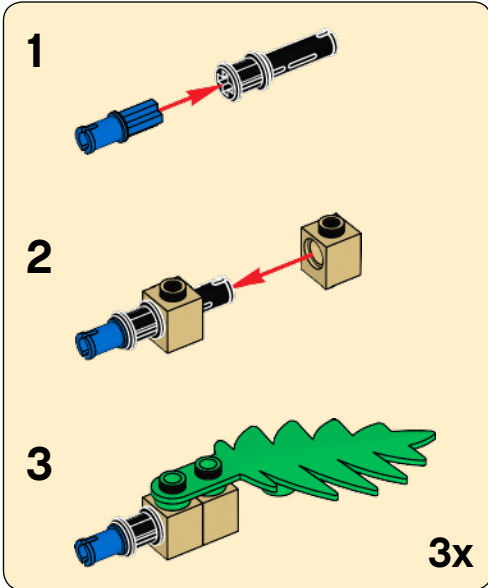


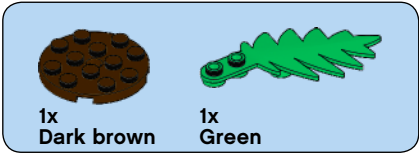
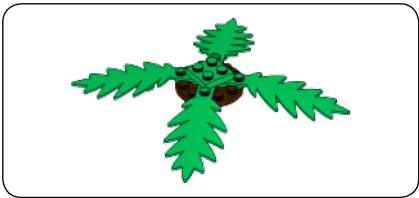
11



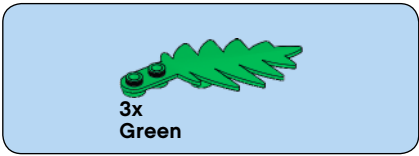
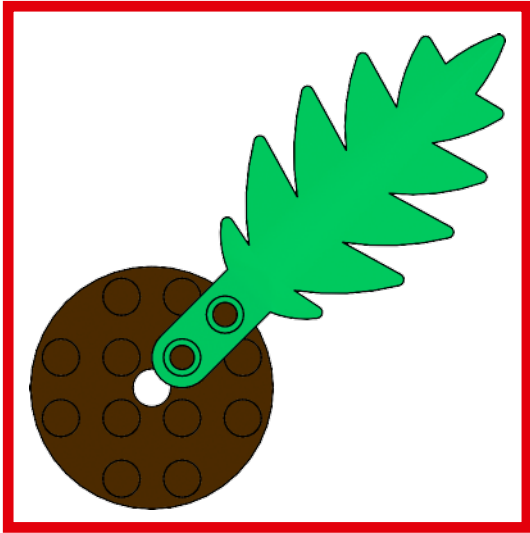


12





13



14

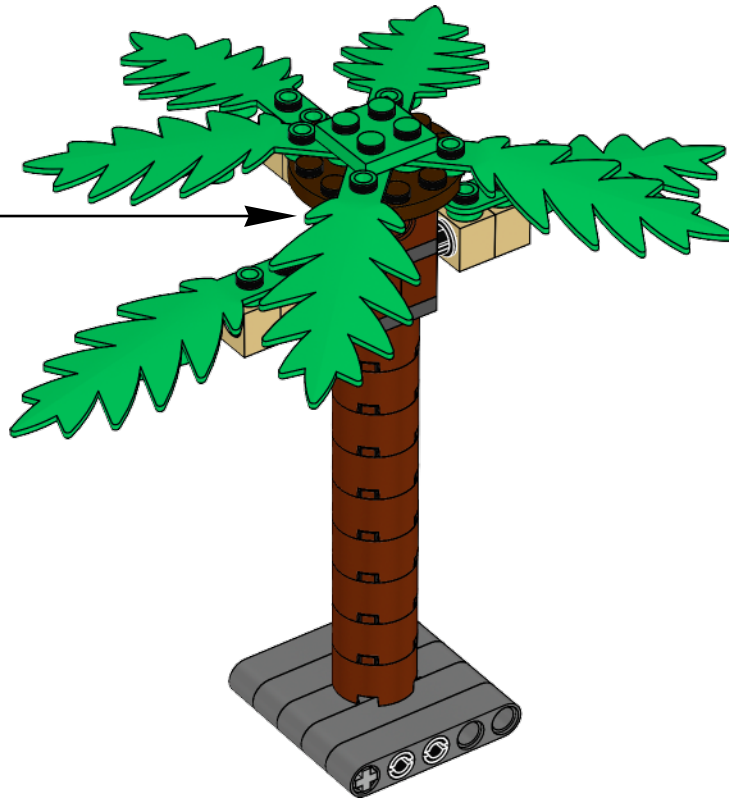


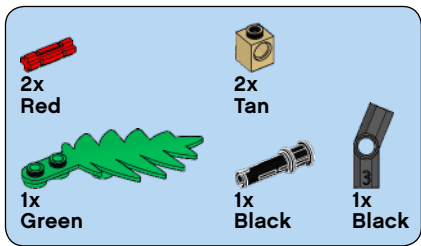


15

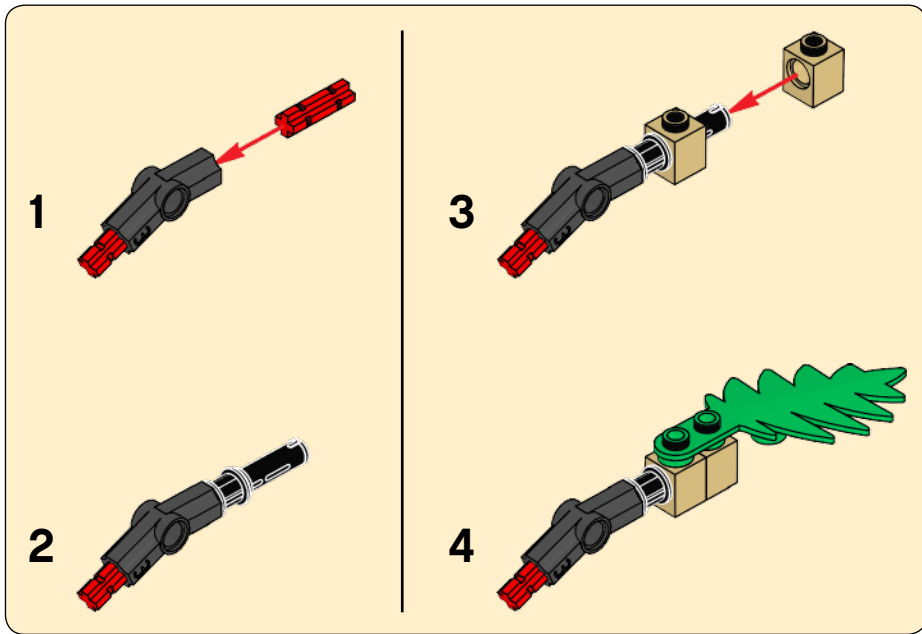


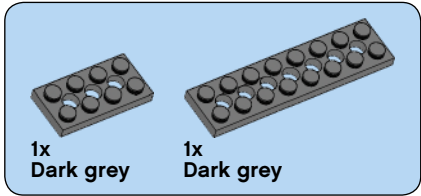
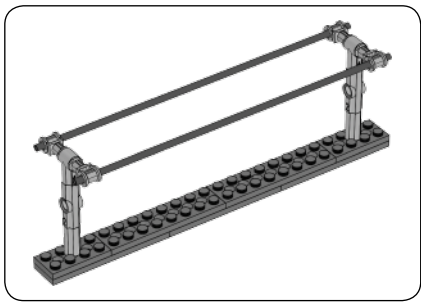
16



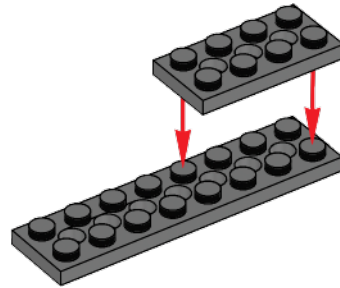


17

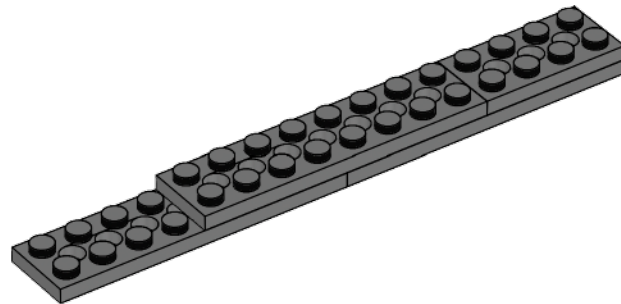




18

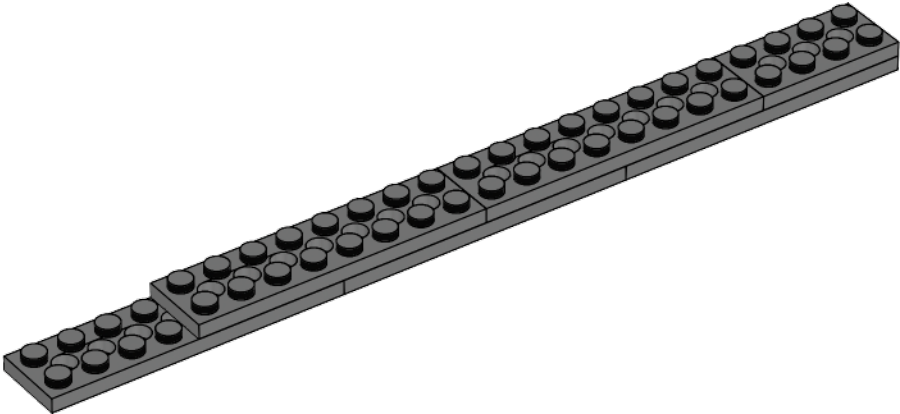


19

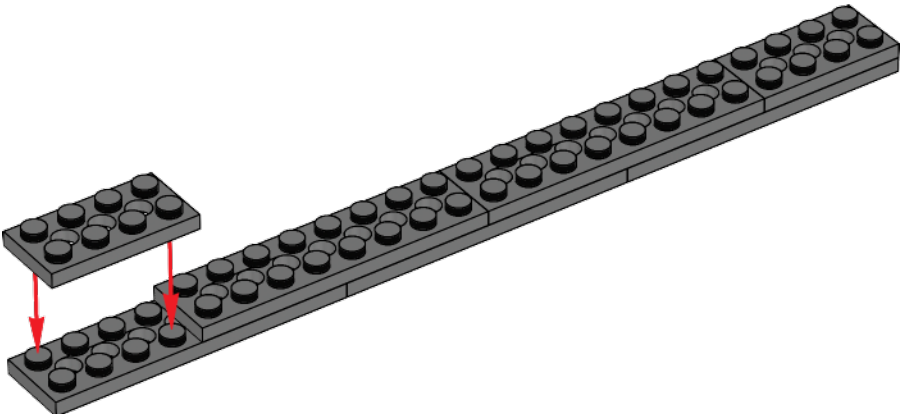


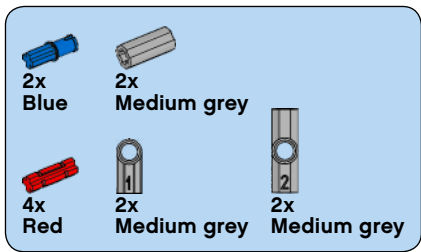


20

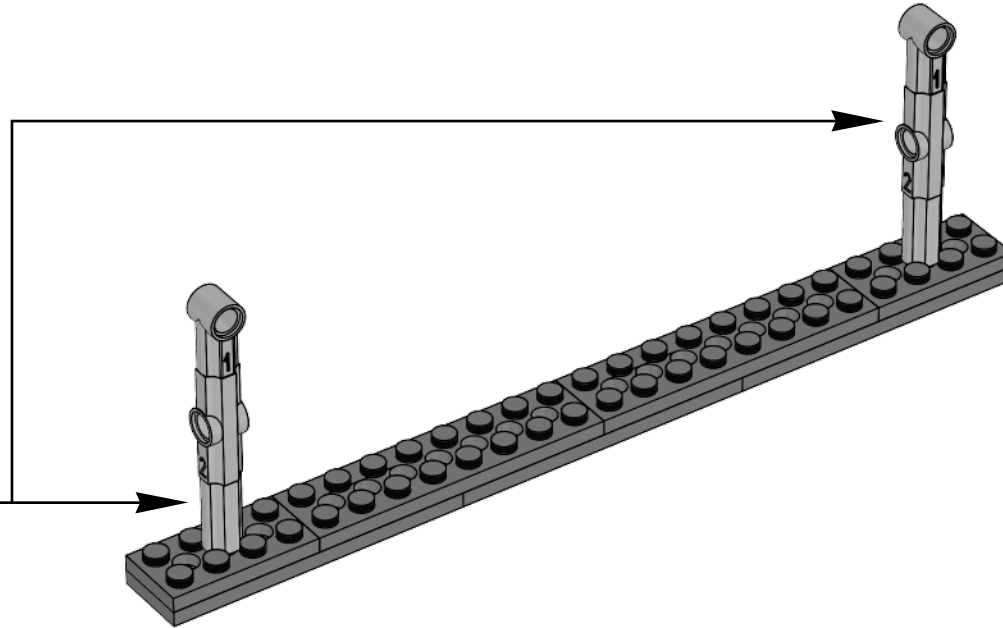
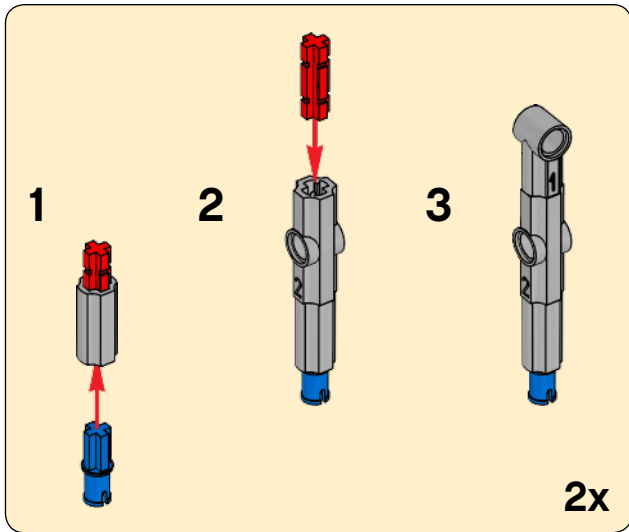


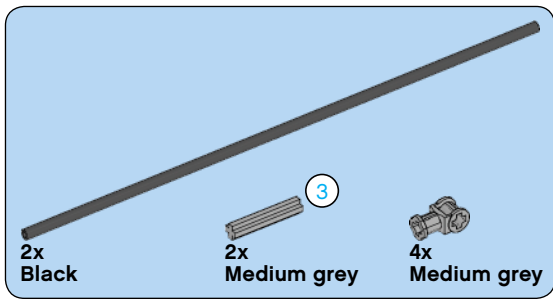
21



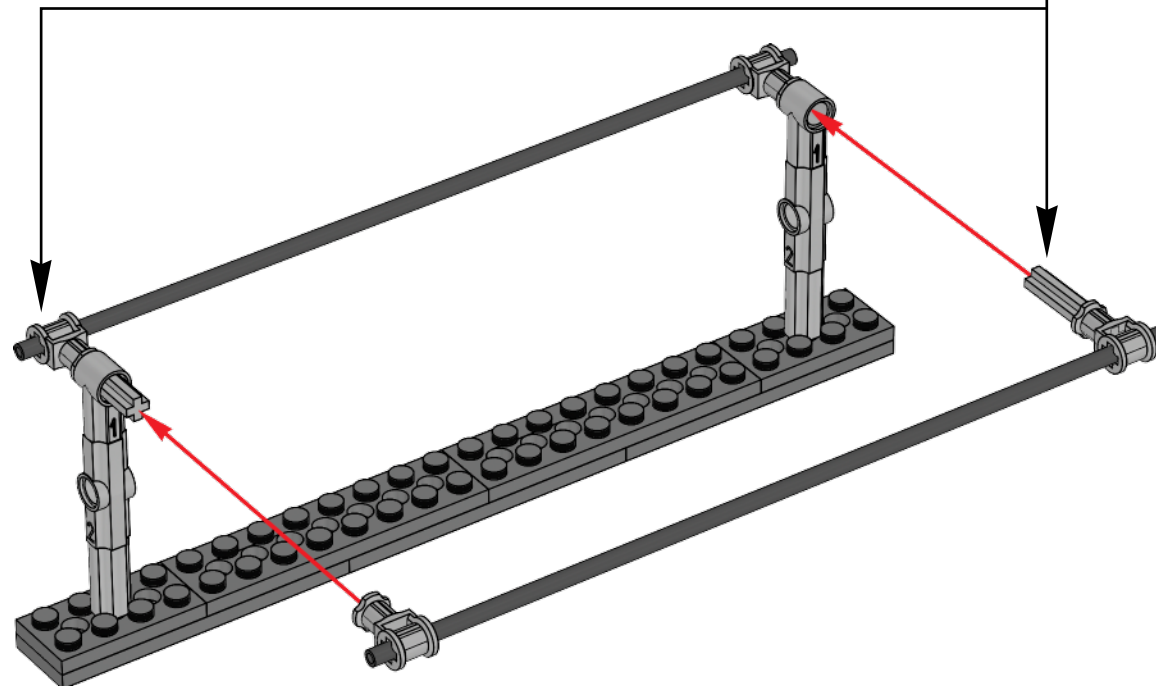
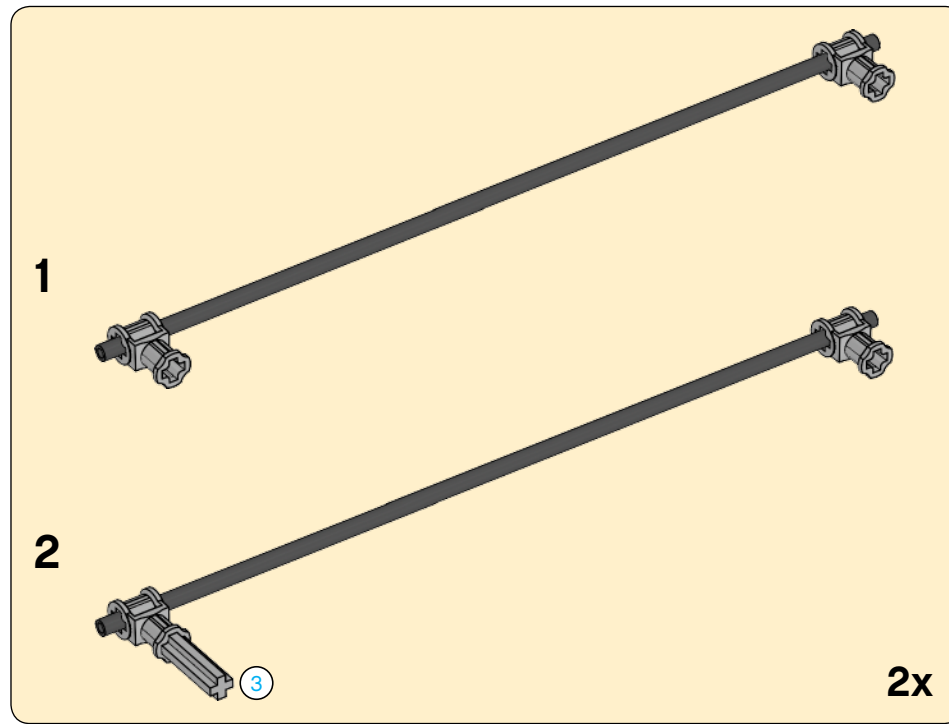


22

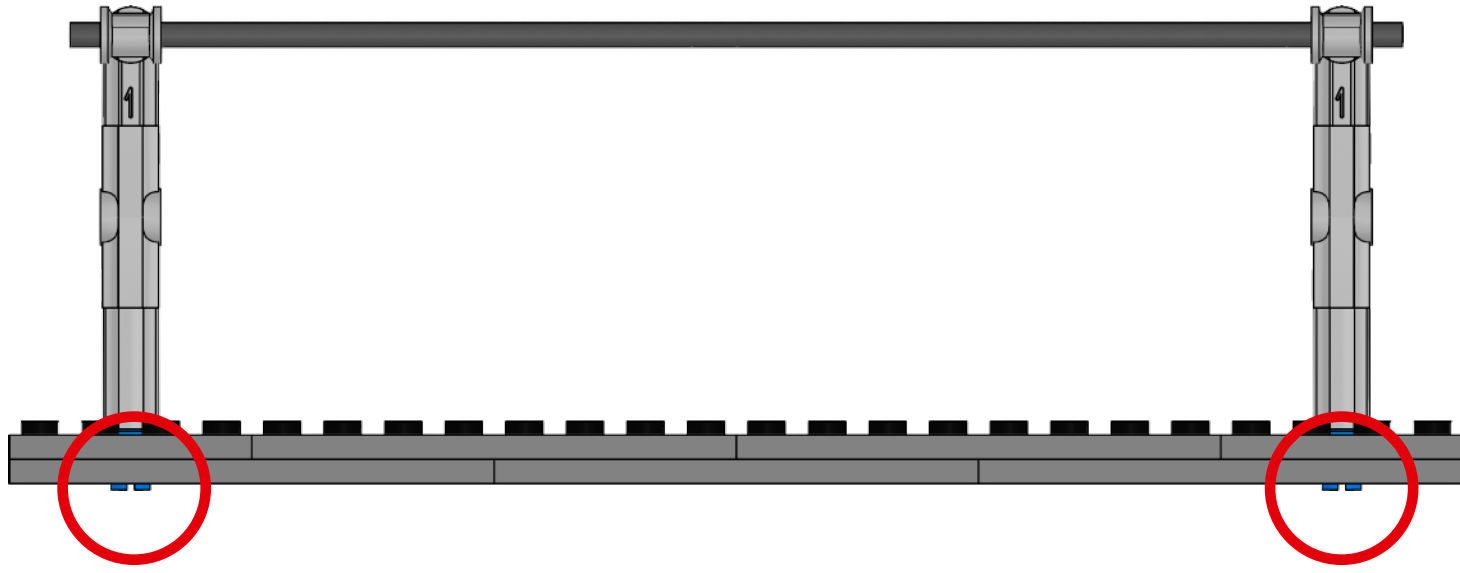




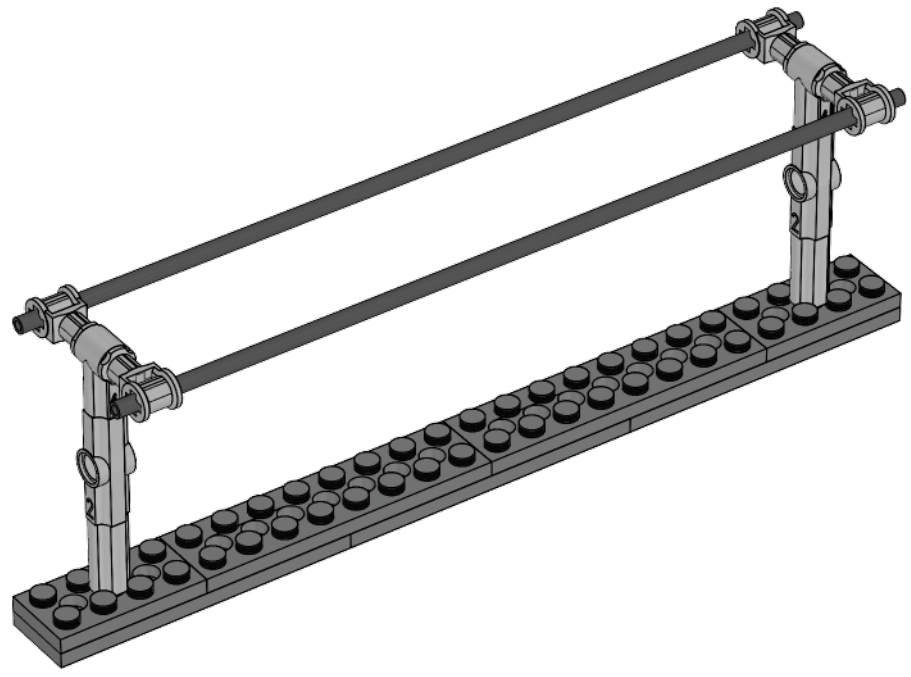
23



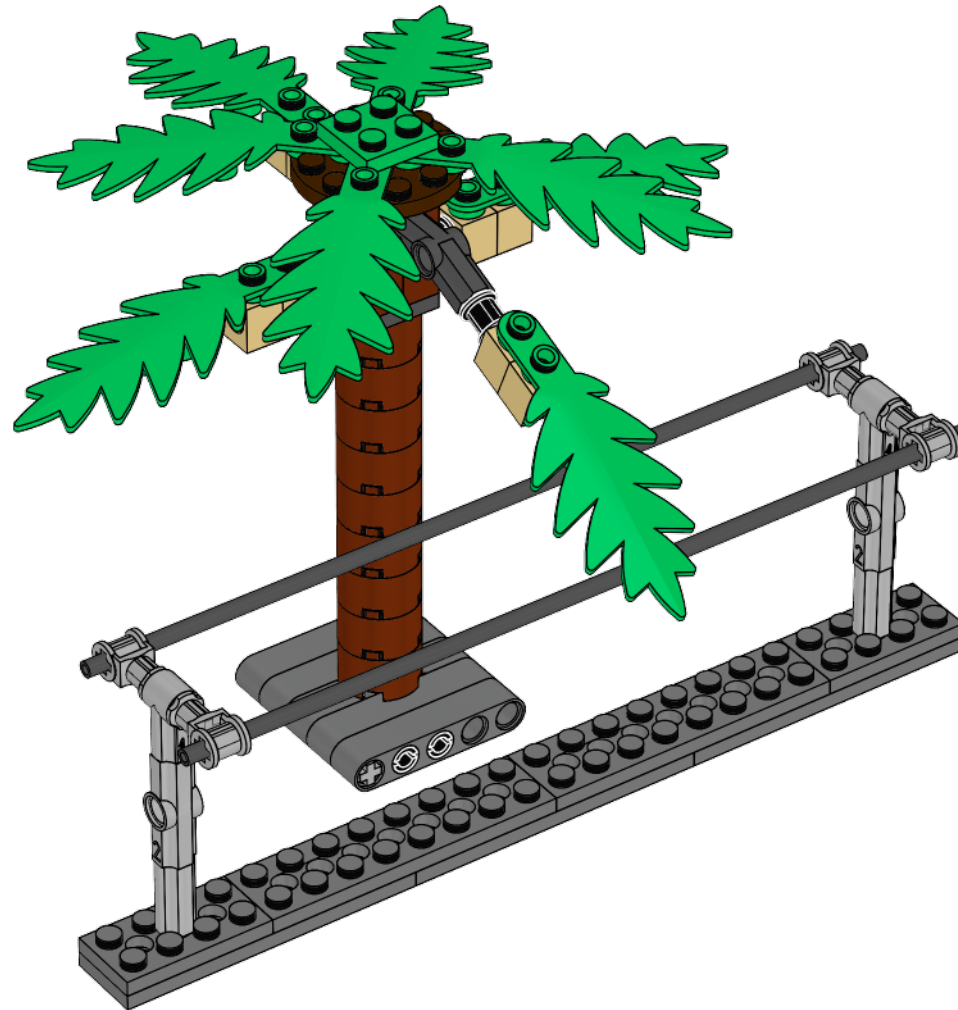
24



25



26



BAG 2

LEGO and the LEGO logo are trademarks of the/sont des marques de commerce de/son marcas registradas de LEGO Group. ©2013 The LEGO Group.

The *FIRST*® logo is a registered trademark of the/Le *FIRST*® logo est une marquee depose de/El logotipo de *FIRST*® es una marca comercial registrada U.S. Foundation For Inspiration and Recognition of Science and Technology.